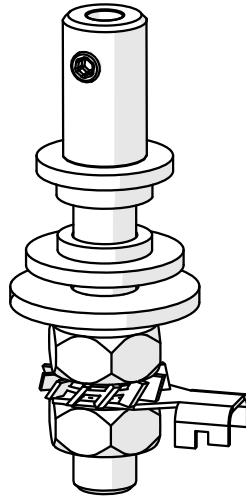
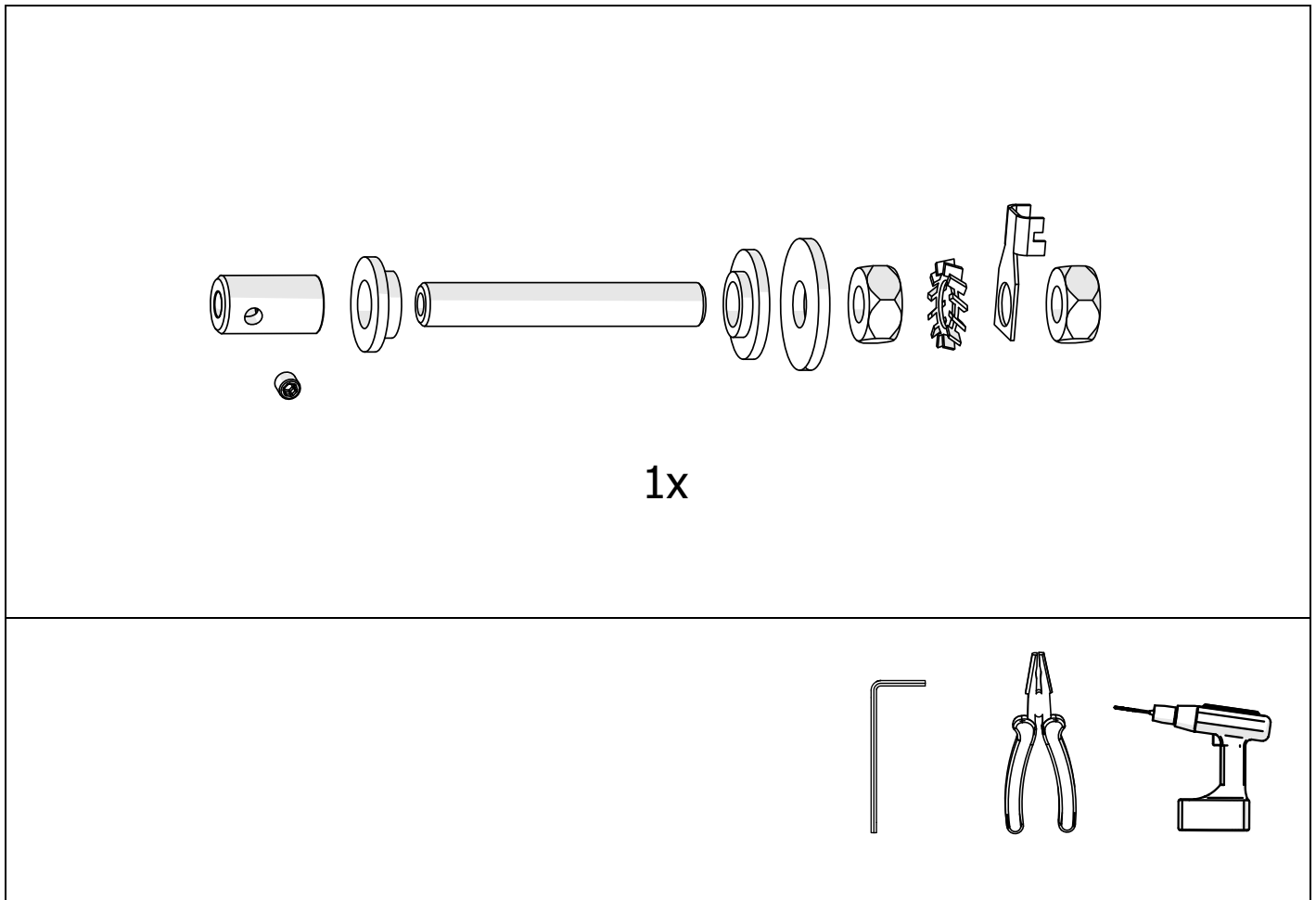


## FI-8-PRET-Z Fastener

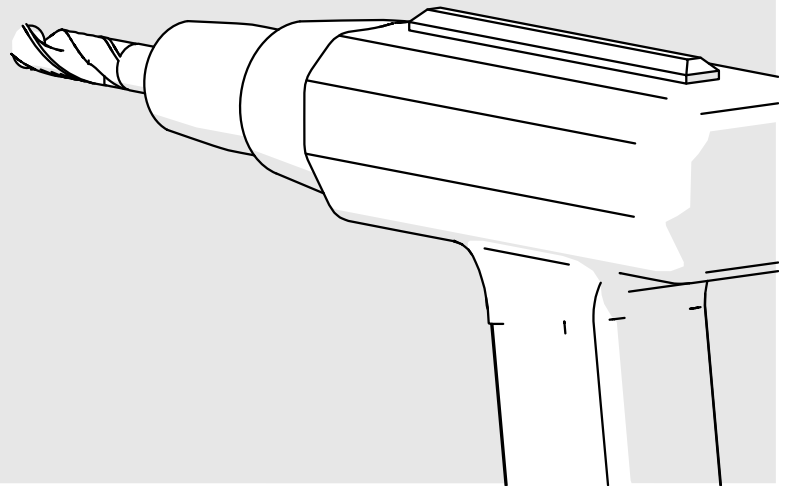
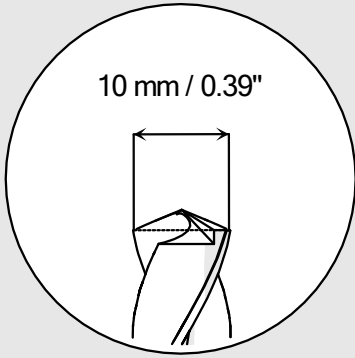




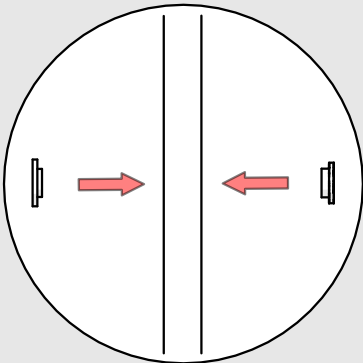
FI-8-PRET-Z Fastener (ref. 42346)

**IMPORTANT:** Not all possible mounting procedures are presented here. More mounting procedures and related accessories can be found at [www.KlusDesign.eu](http://www.KlusDesign.eu). Drawings in these instructions are simplified and only approximate the actual shapes.

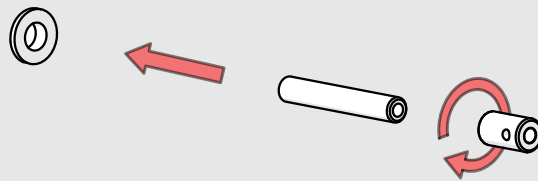
I



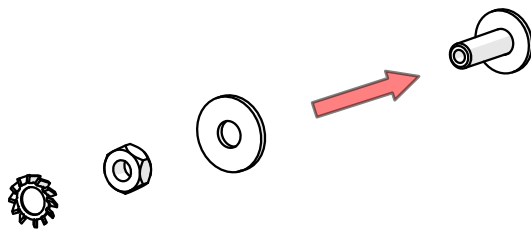
II



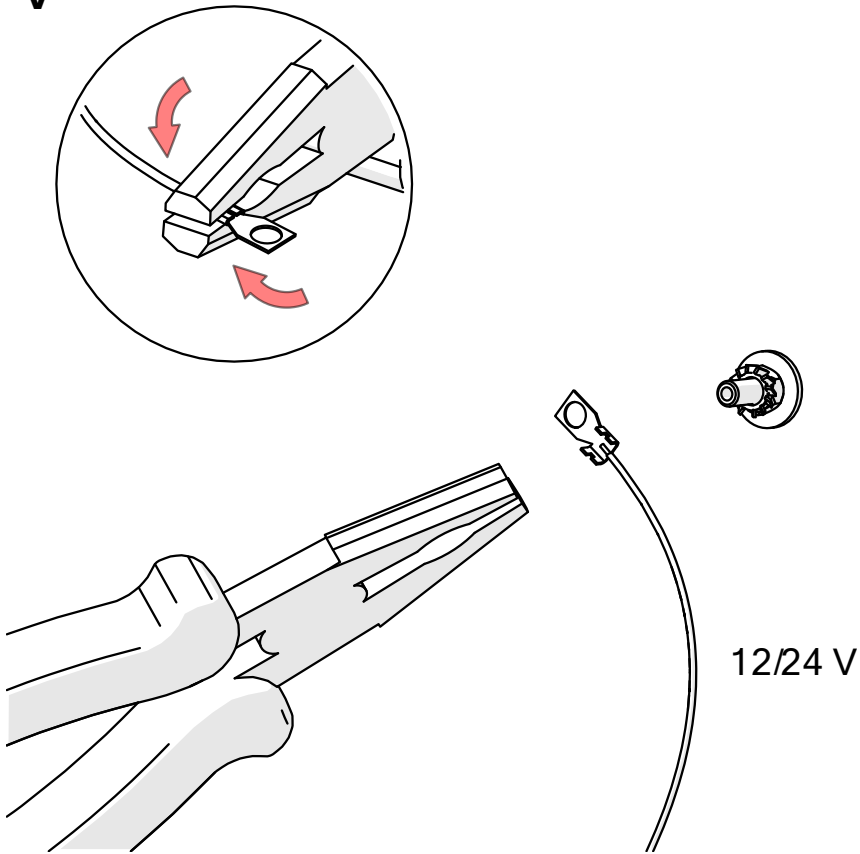
**III**



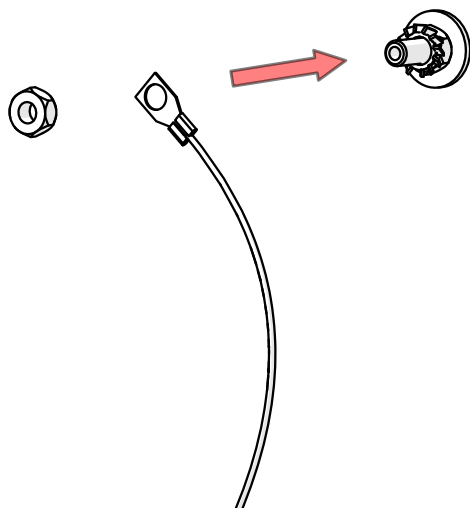
**IV**



**V**



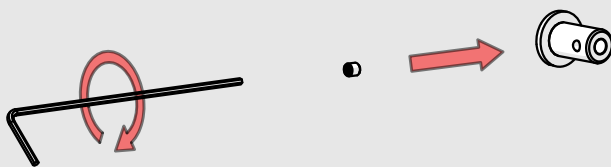
**VI**



**VII**



**VIII**



**IX**

