

Parts needed to mount the STOS-ALU extrusion



Extrusion (A)



End caps (B)



Cover (C)



LED strip (D)



Clip (E)



Mounting track
TEST-36 (F)

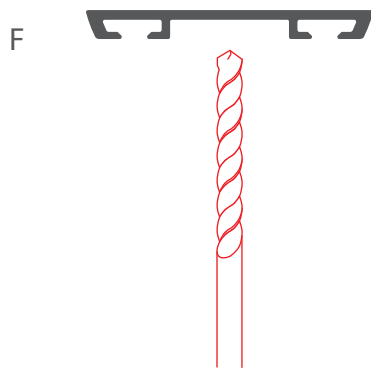
Tools needed for mounting:

- drill
- screwdriver
- screws

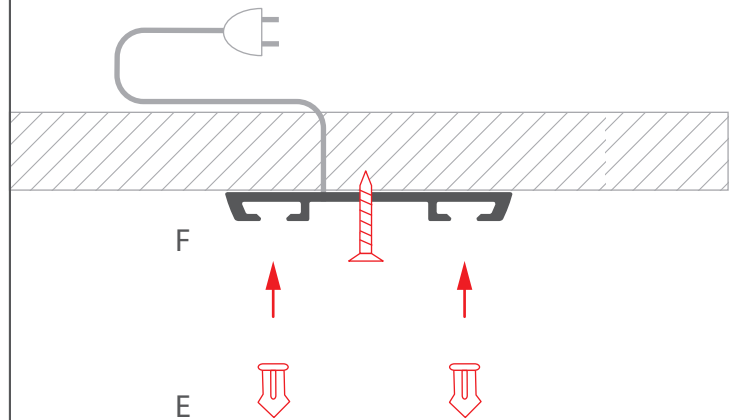
NOTE! All LED strips must be connected to a 12 V or 24 V power supply.

IMPORTANT: The manual presents the simplest mounting procedure.
More mounting procedures and related accessories can be found at www.klusdesign.eu

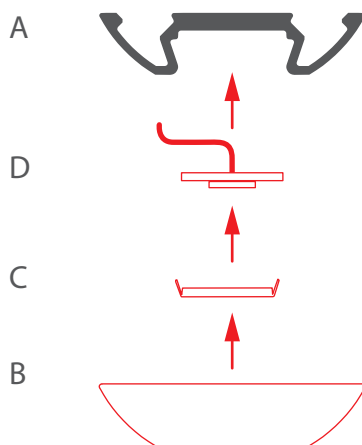
1. Drill holes in the mounting track (F).



2. Mount the mounting track (F) using screws and slide the clips (E) into the mounting track (E).



3. Mount the LED strip (D), insert the cover (C), and then insert the end cap (B). Feed the power cable.



4. Attach the extrusion (A) to the mounting track (F) and connect power.

