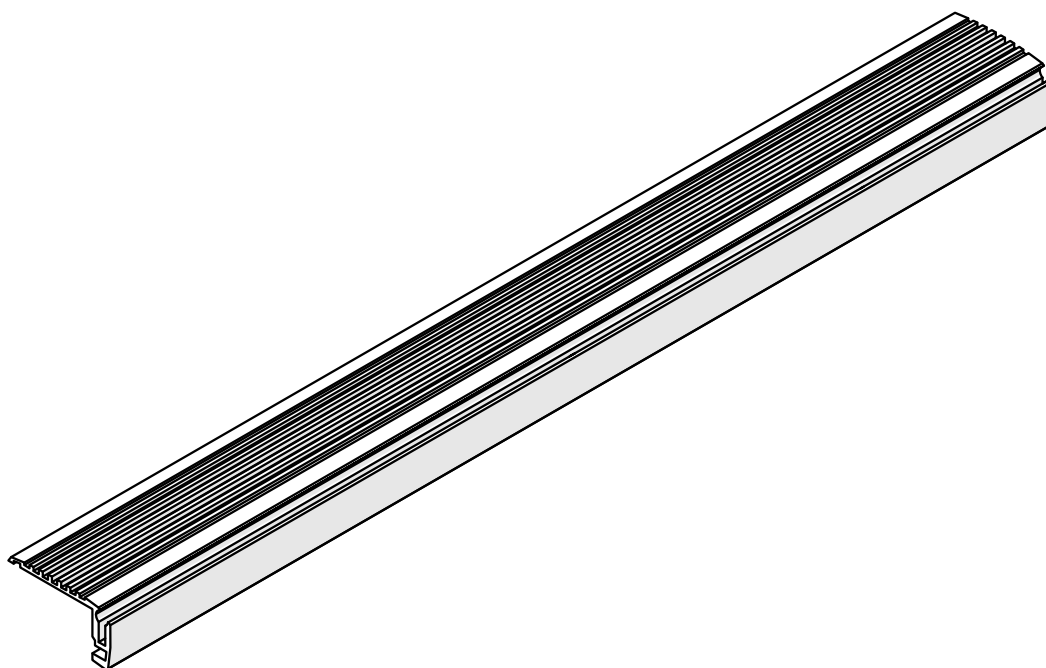
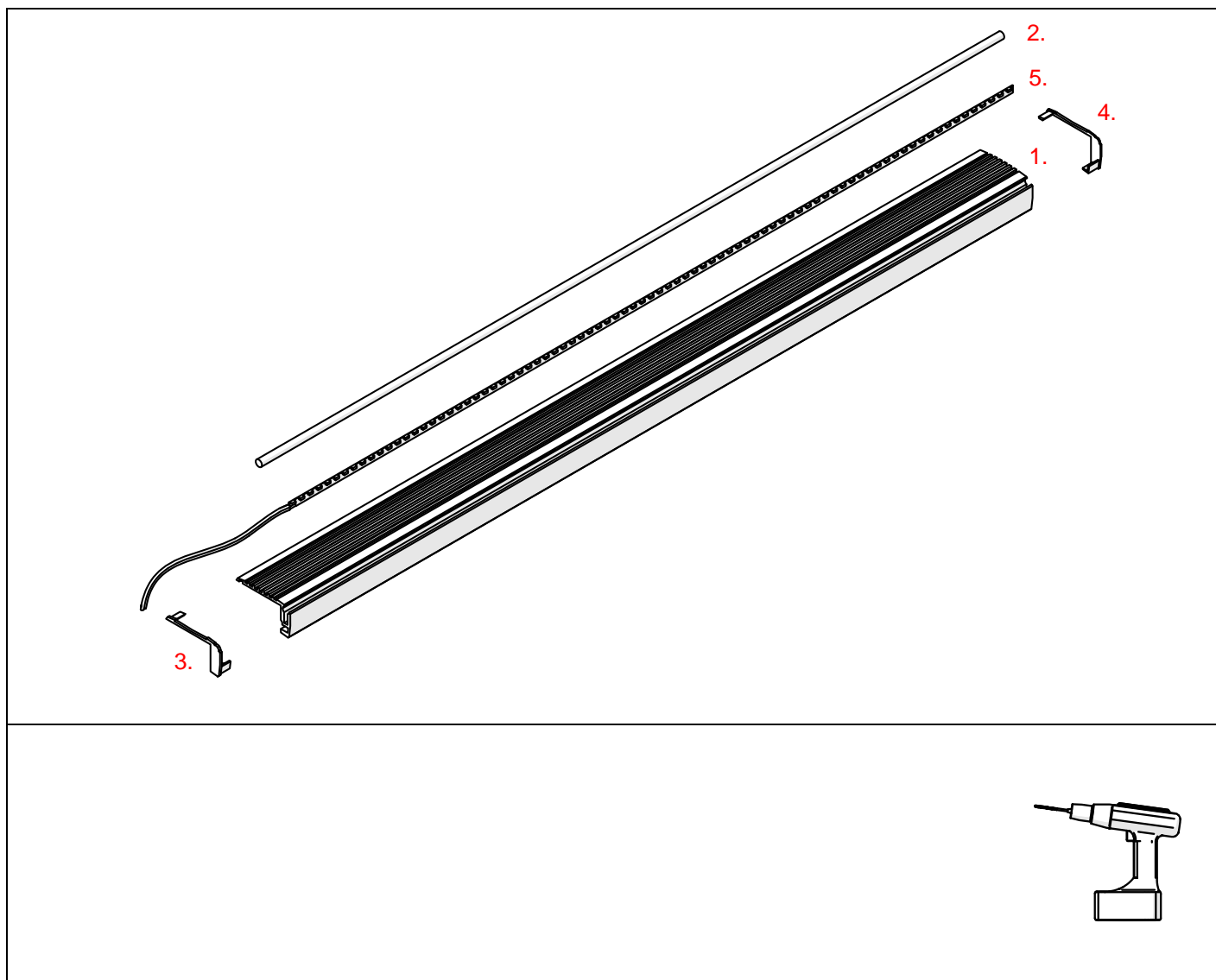


## STEKO Profile





1. STEKO Profile (Ref. A18018)
2. Anti-slip rubber strip FI-5 (Ref. C24538)
3. End cap STEKO-L (Ref. C24038)
4. End cap STEKO-P (Ref. C24037)
5. LED tape\*

\* The full range of accessories and electronics is available at [www.KlusDesign.eu](http://www.KlusDesign.eu)

**NOTE! !** All LED tapes must be connected to a 12 V or 24 V power supply.

**IMPORTANT:** Not all possible mounting procedures are presented here. More mounting procedures and related accessories can be found at [www.KlusDesign.eu](http://www.KlusDesign.eu). Drawings in these instructions are simplified and only approximate the actual shapes.

