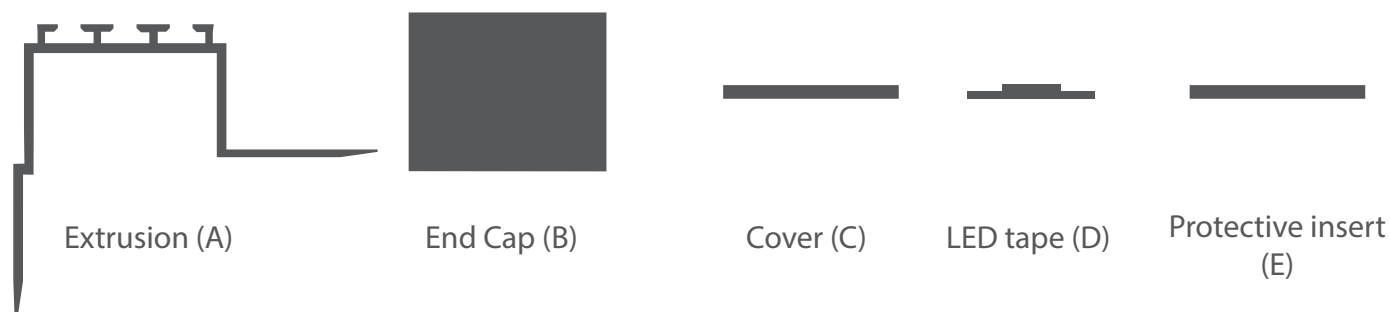


**Parts needed to mount the KOZUS-CR extrusion**



**Tools needed for mounting:**

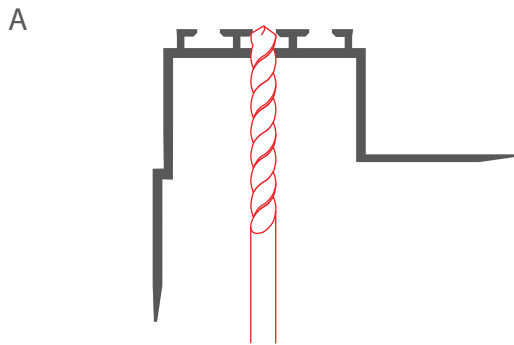
- mounting adhesive

The **TECH-22 PROTECTIVE INSERT** ensures that the profile slot remains wide enough for the snap-in cover (its use is **NECESSARY** during mounting and finishing works).

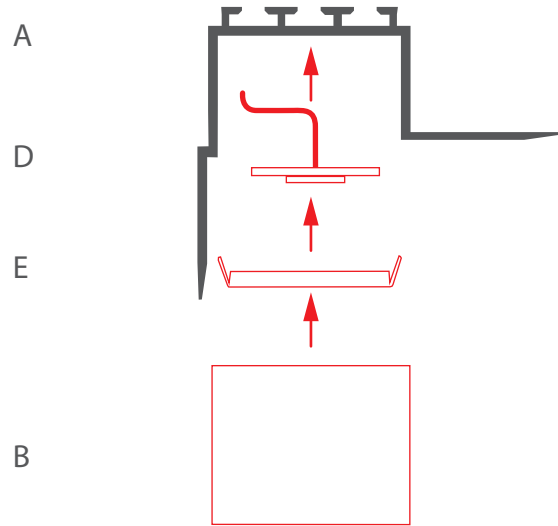
**WARNING!** All LED strips should be connected to a 12 V or 24 V power supply.

**IMPORTANT:** The mounting instructions present the basic form of assembly. More methods and related accessories can be found at [www.KlusDesign.eu](http://www.KlusDesign.eu)

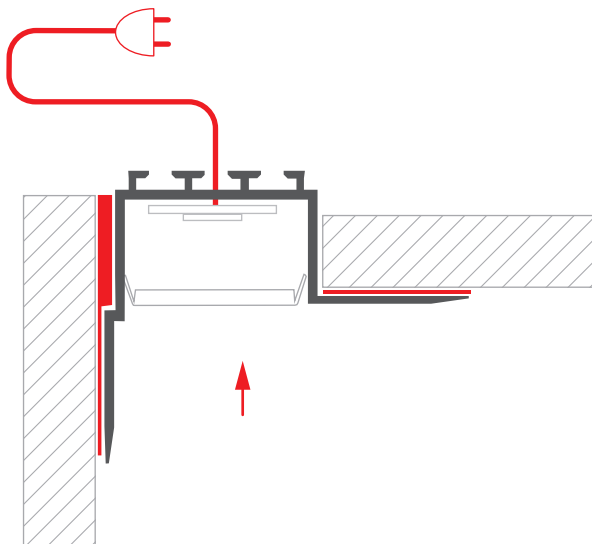
**1.** Drill a hole in the extrusion for the power cable.



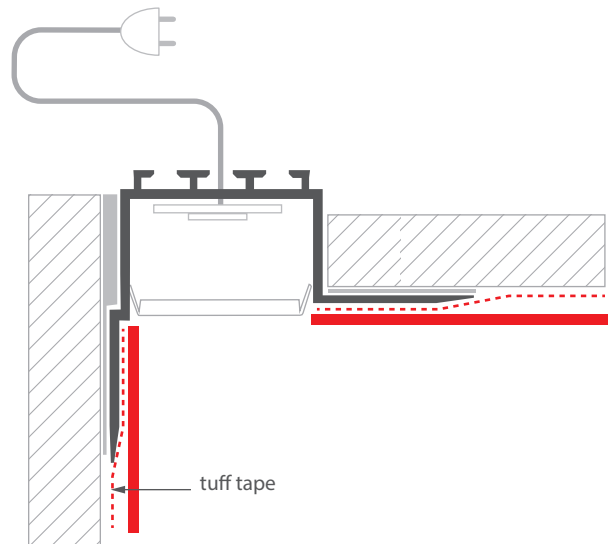
**2.** Mount the LED strip (D) in the extrusion, lead out the power cable, insert the protective insert (E) and then insert the end caps (B).



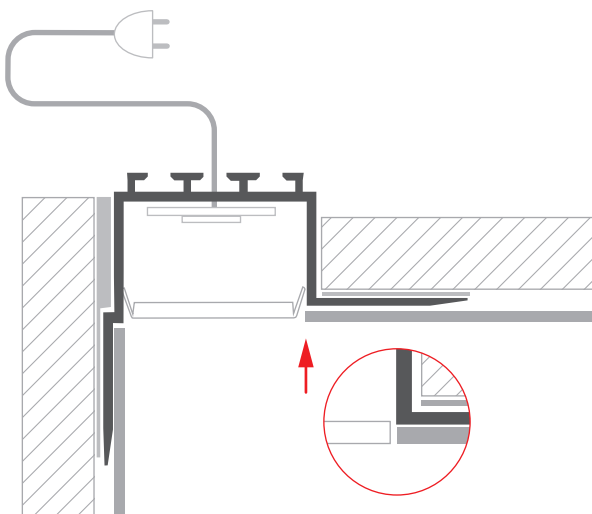
**3.** Glue the fixture to the wall and ceiling using the adhesive and attach the power cable to the power supply.



**4.** Apply a layer of plaster to the ceiling, wall and fixture, sand and paint the surface.



**5.** Slide a sharp tool between the extrusion and the insert (on both sides of the insert) to cut off the layer of plaster and paint from the insert.



**6.** Remove the protective insert (D) and insert the proper cover (C).

