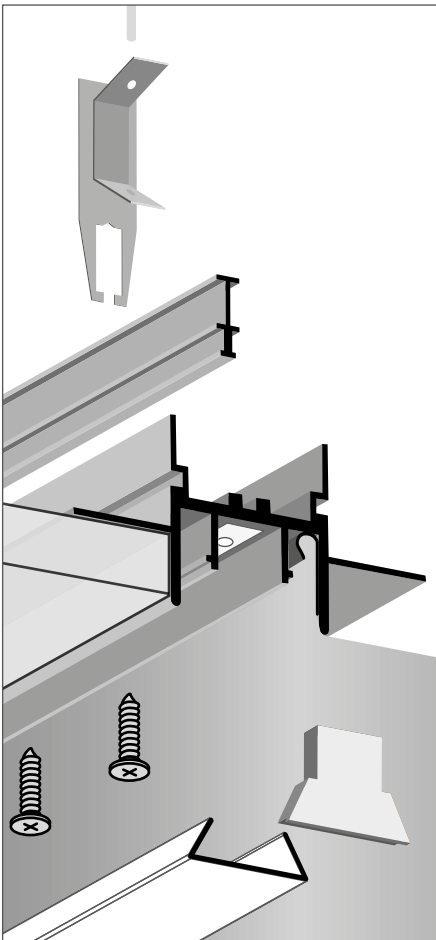
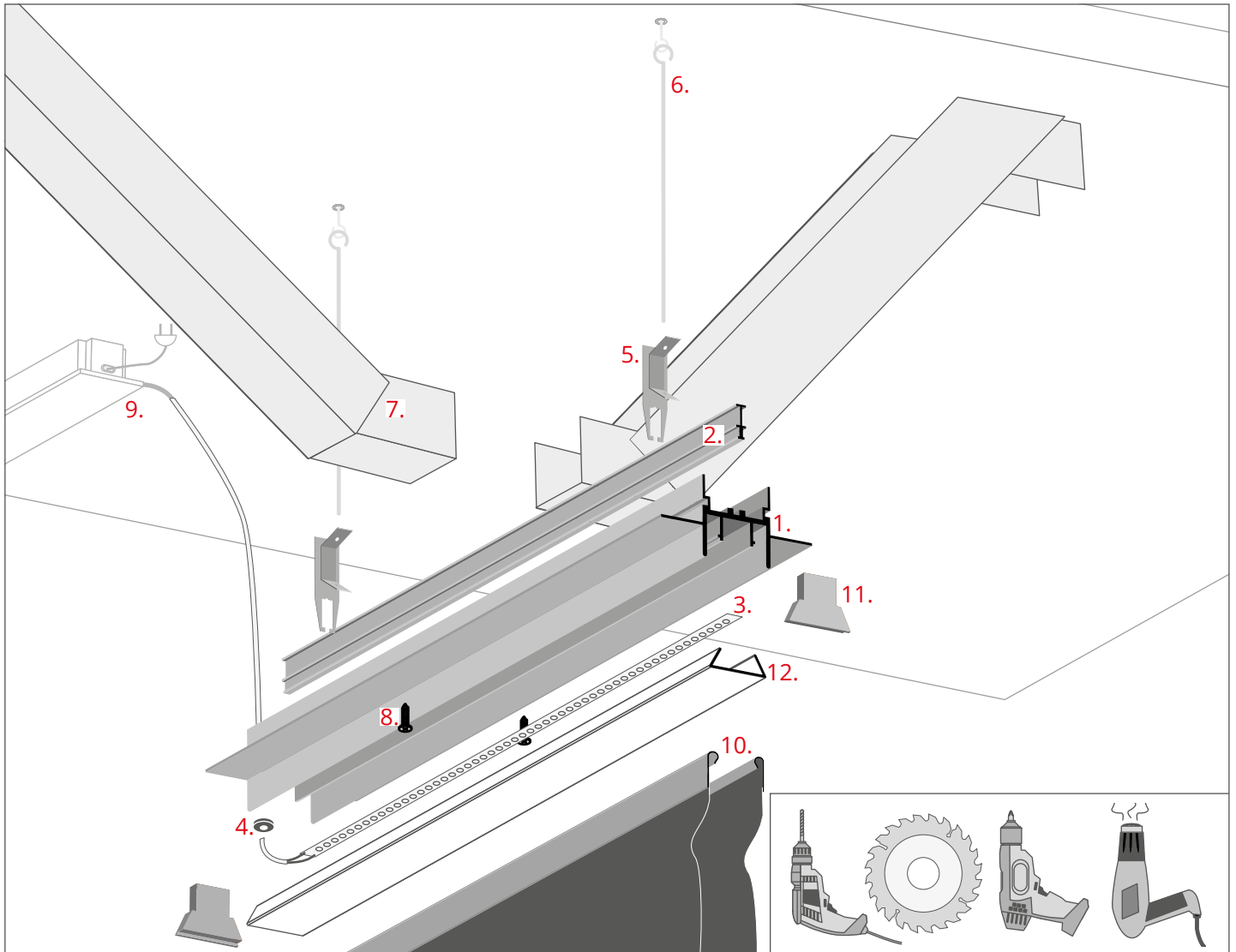


a) Suspension mounting with the stretched ceiling on both sides of the profile - p. 2



b) Mounting to drywall on one side with stretched ceiling on the other side - str. 7

a) Suspension mounting with the stretched ceiling on both sides of the extrusion



1. FOLED profile (ref. B8332V1)
2. FOLHAK profile (ref. B8338)
3. LED tape*
4. Gland*
5. Spring hanger*
6. Hanger rod \varnothing 4 mm**
7. Structure of the suspended ceiling**
8. Screw
9. Power supply 12 V / 24 V*
10. Stretched ceiling
11. End cap*
12. Cover*

* The full range of accessories and electronics is available at www.KlusDesign.eu

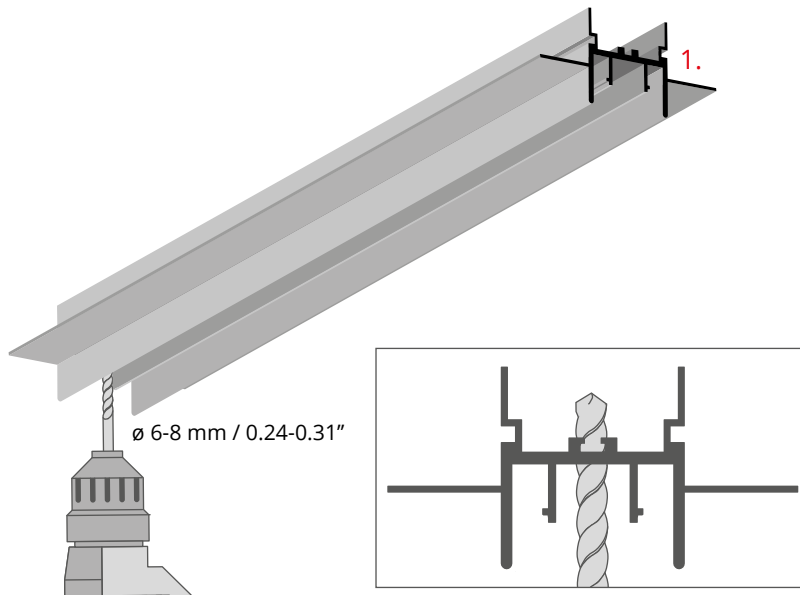
** Elements of the suspended ceiling and hanger rods are commonly available building materials. KLUS company does not sell them.

NOTE! All LED tapes must be connected to a 12 V or 24 V power supply.

IMPORTANT: Not all possible mounting procedures are presented here.

More mounting procedures and related accessories can be found at www.KlusDesign.eu. Drawings of extrusions and accessories in these instructions are simplified and only approximate the actual shapes.

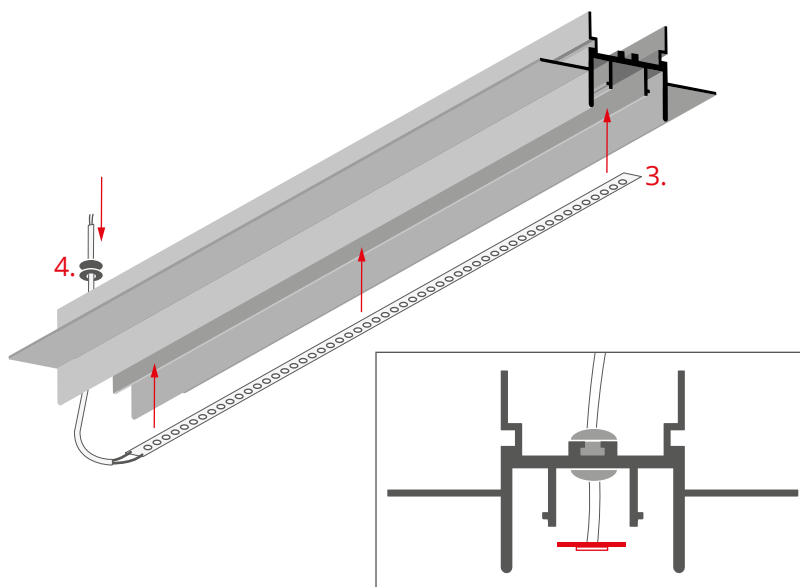
Ia



Prepare the hook for a stretch ceiling foil (3) to be mounted in the profile and the end cap.

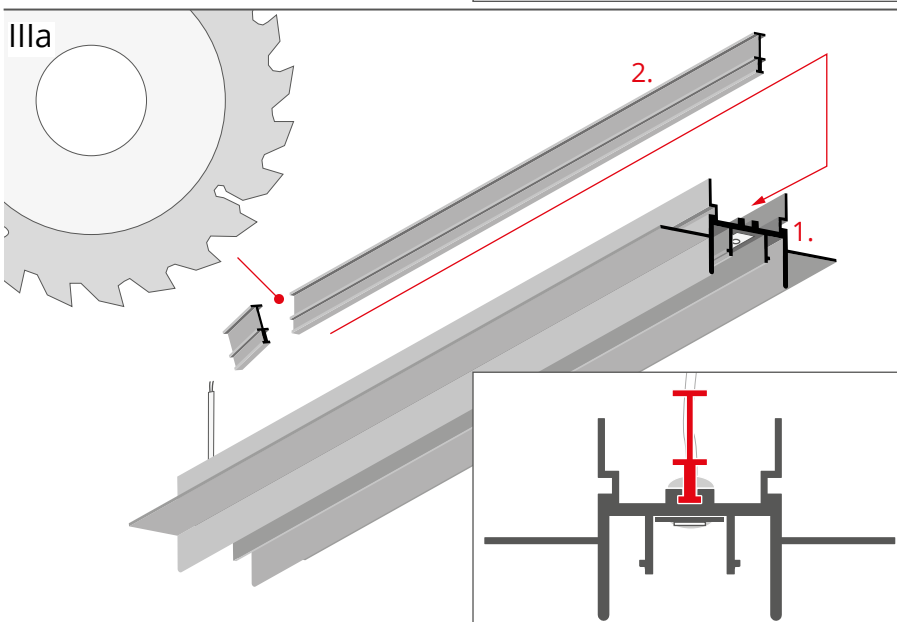
NOTE! To minimize the risk of cutting the foil, protect it with painter's tape or similar item.

Ila



Mount the hook for a stretch ceiling foil.

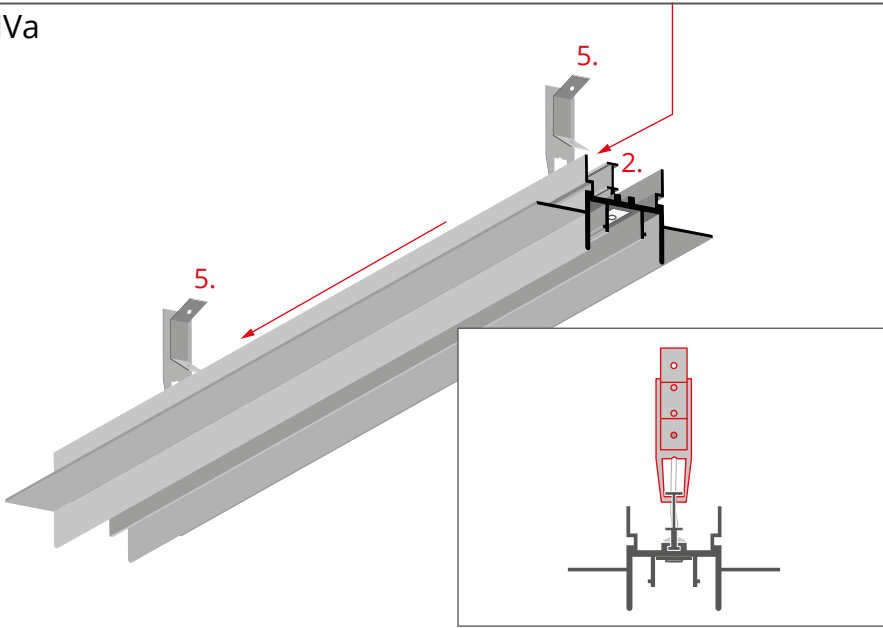
Illa



Stretch the ceiling foil with heater and mount the cover (2) in the profile.

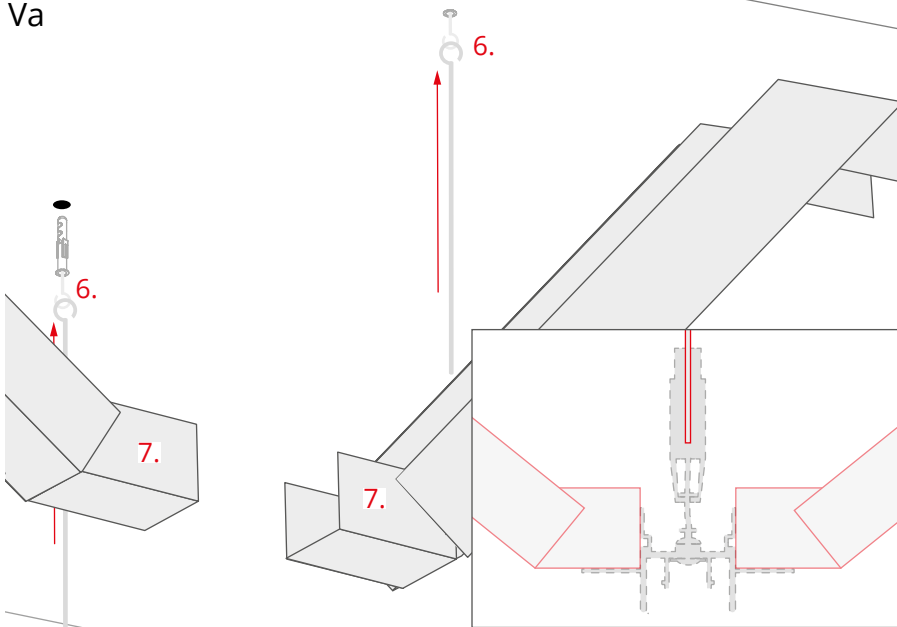
a) Suspension mounting with the stretched ceiling on both sides of the extrusion

IVa



Mount the spring hangers (5) on the FOLHAK profile (2).

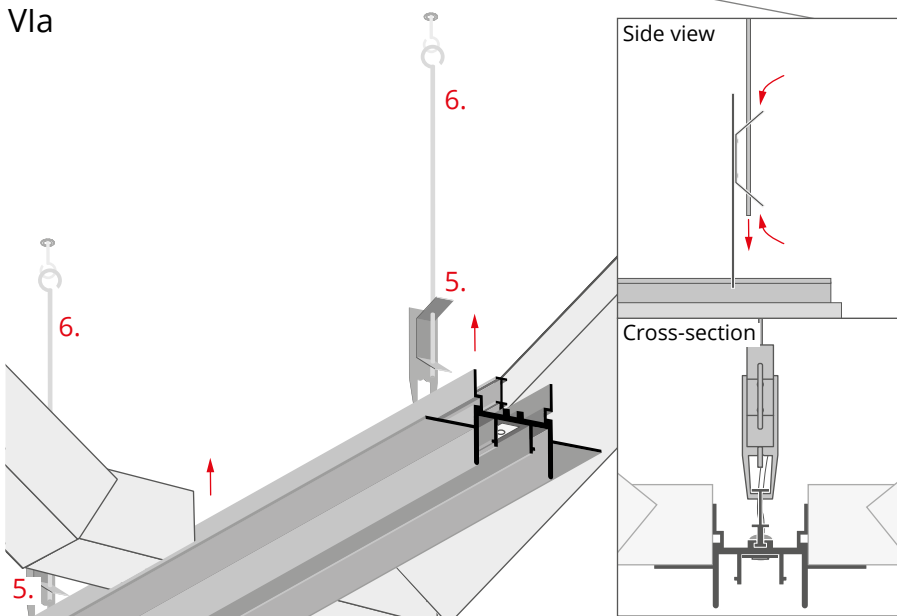
Va



Mount the hanger rods \varnothing 4 mm (6) of length appropriate to the available space.

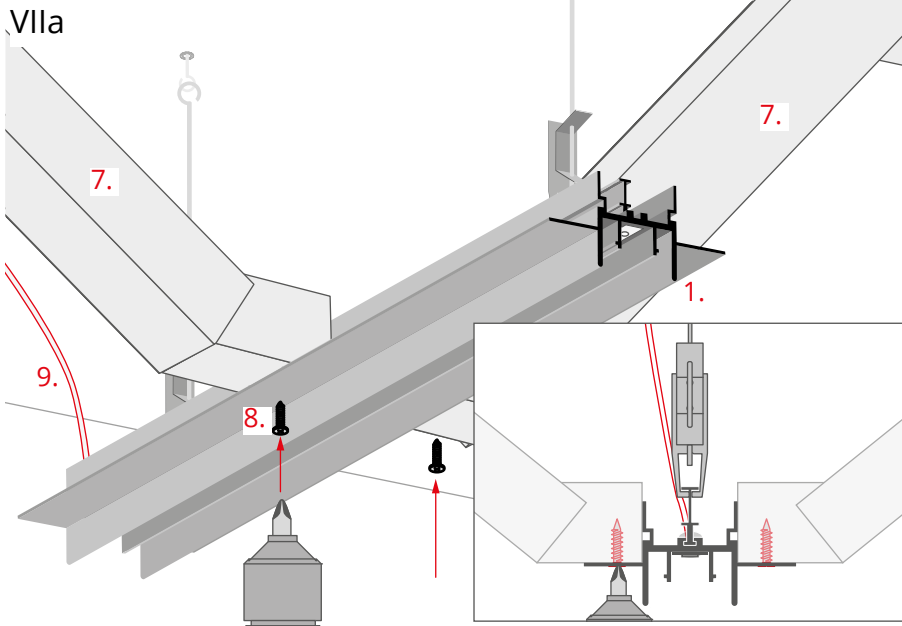
Prepare the structure of the suspended ceiling (7) so that it will lock the fixture's position.

VIa



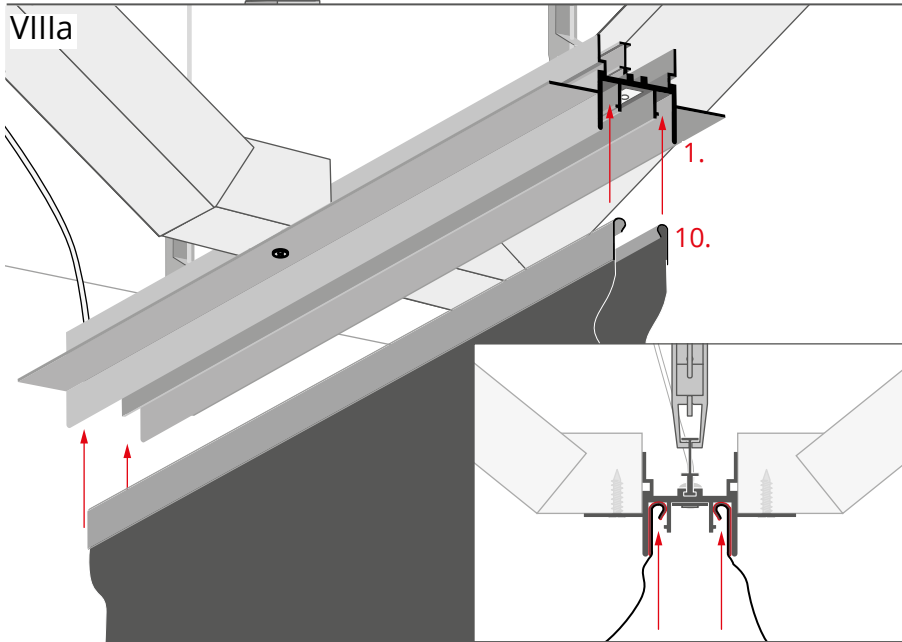
Suspend the fixture on the hanger rods \varnothing 4 mm (6) with the spring hangers (5).

a) Suspension mounting with the stretched ceiling on both sides of the extrusion

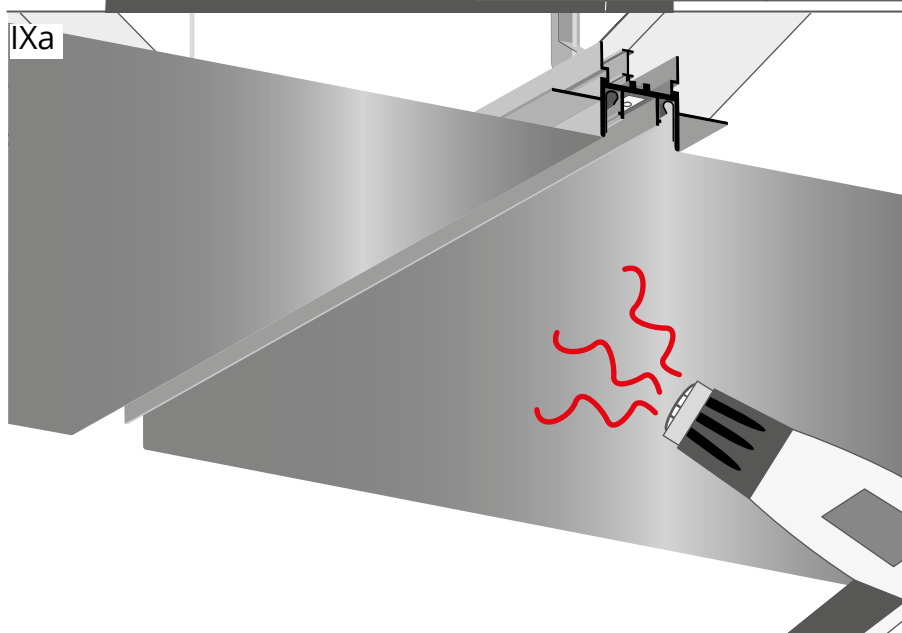


Screw the FOLED profile (1) to the structure of the suspended ceiling (7) with screws (8).

Connect the cable from the LED tape with the cables from the power supply 12 V / 24 V (9).



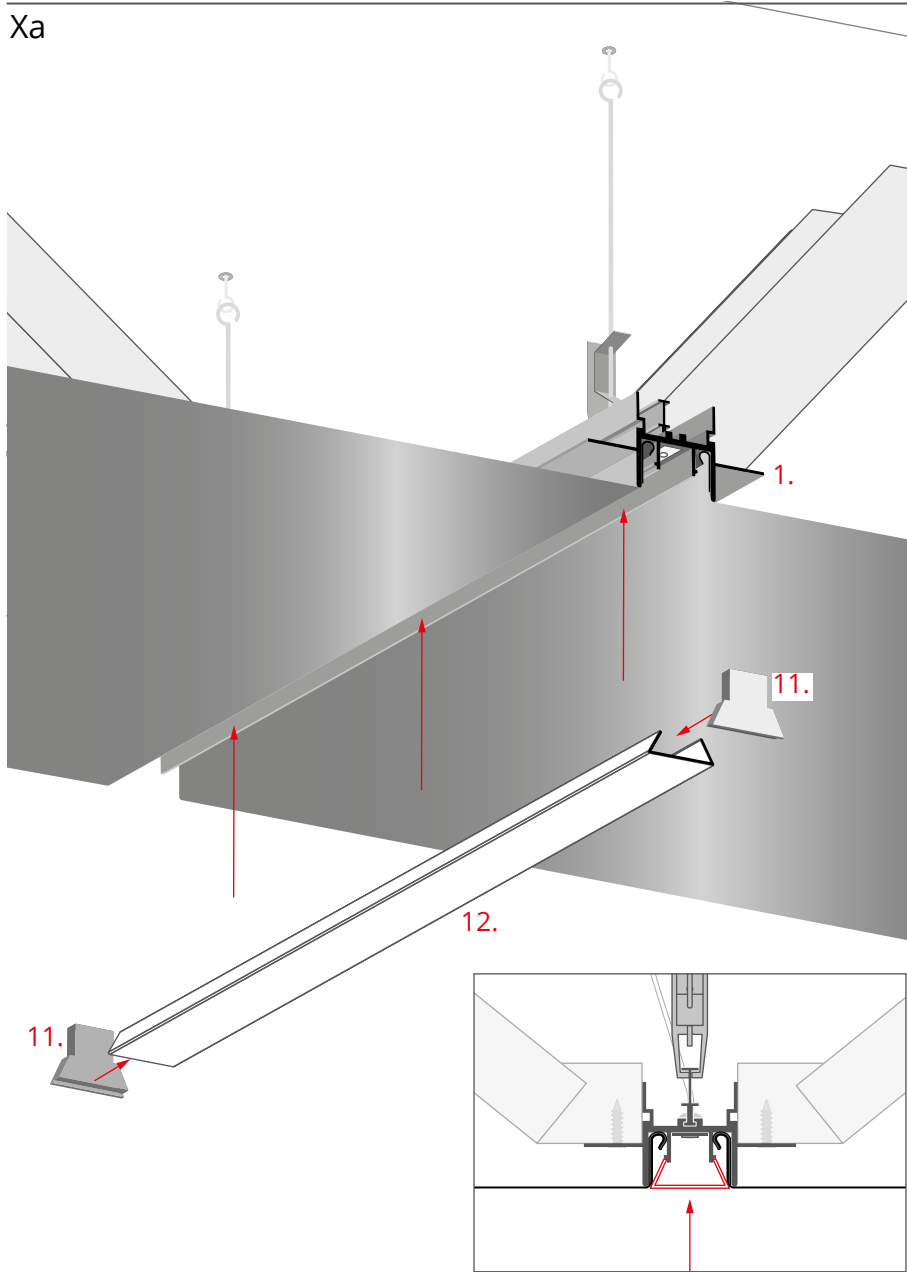
Mount the hooks of the stretched ceiling (10) in the FOLED profile (1).



After proper installation of the stretched ceiling, stretch it with heater.

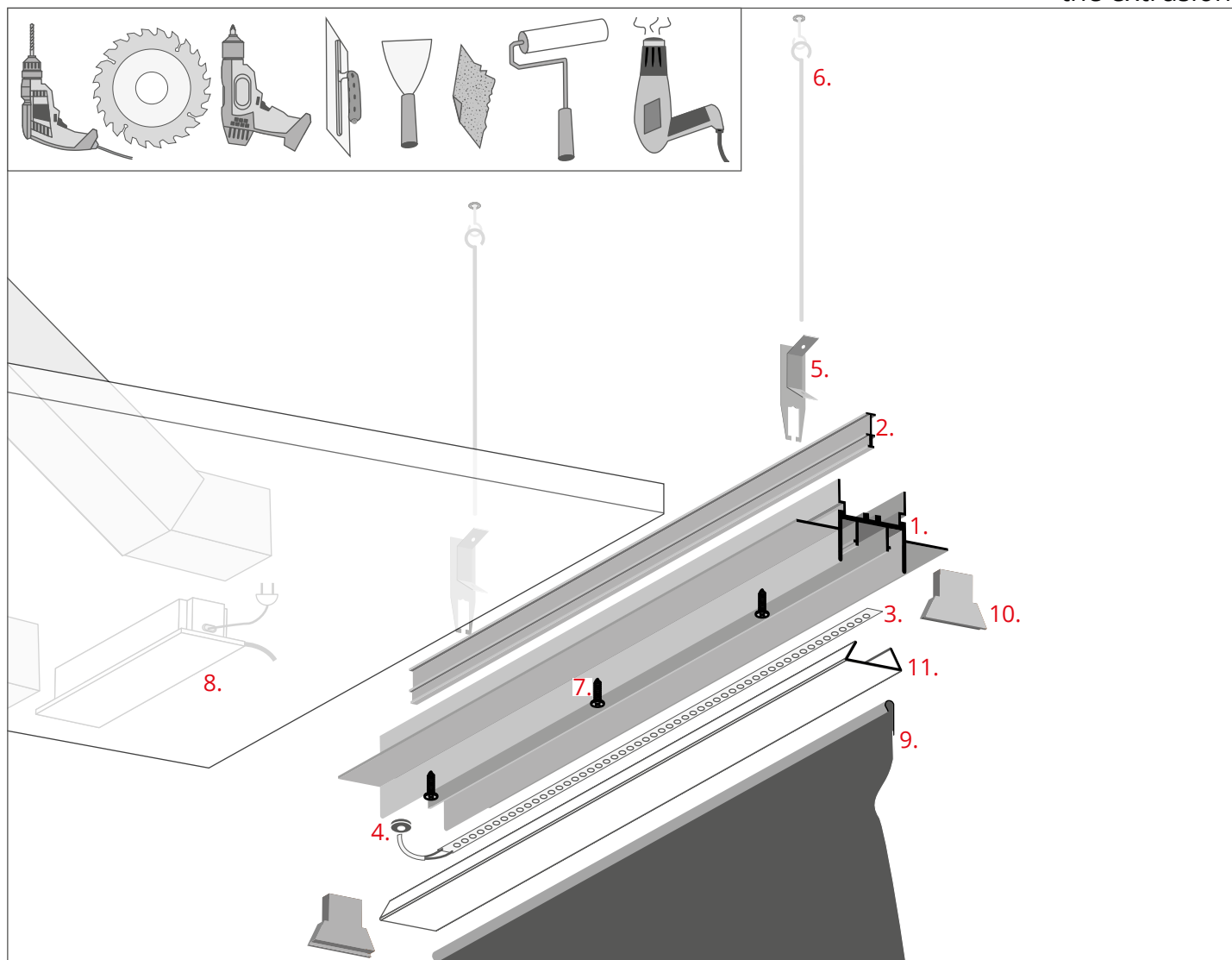
a) Suspension mounting with the stretched ceiling on both sides of the extrusion

Xa



Mount the end caps (11) in the cover (12) and insert the cover into FOLED profile (1).

b) Mounting to the drywall panel with the stretched ceiling on one side of the extrusion



1. FOLED profile (ref. B8332V1)
2. FOLHAK profile (ref. B8338)
3. LED tape*
4. Gland*
5. Spring hanger*
6. Hanger rod \varnothing 4 mm**
7. Drywall screw*
8. Power supply 12 V / 24 V*
9. Stretched ceiling
10. End cap*
11. Cover*

* The full range of accessories and electronics is available at www.KlusDesign.eu

** Elements of the suspended ceiling and hanger rods are commonly available building materials. KLUS company does not sell them.

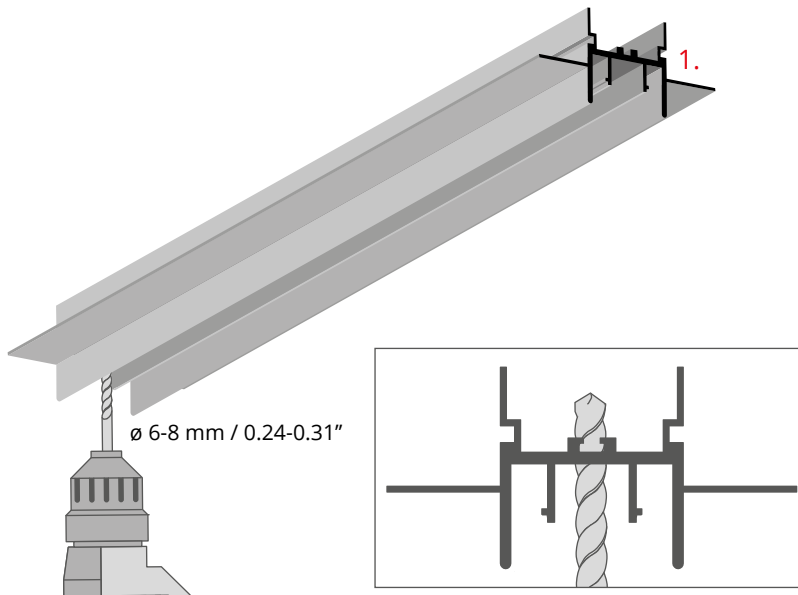
NOTE! All LED tapes must be connected to a 12 V or 24 V power supply.

IMPORTANT: Not all possible mounting procedures are presented here.

More mounting procedures and related accessories can be found at www.KlusDesign.eu. Drawings of extrusions and accessories in these instructions are simplified and only approximate the actual shapes.

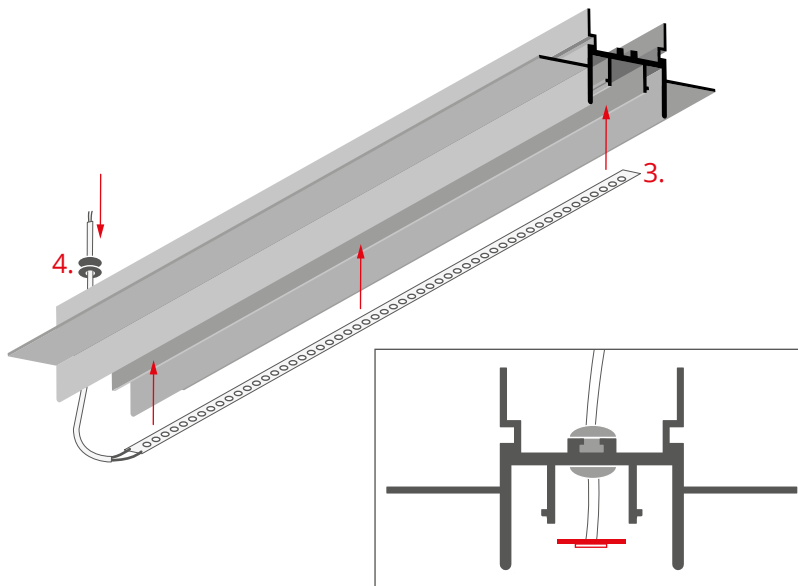
b) Mounting to the drywall panel with the stretched ceiling on one side of the extrusion

Ib



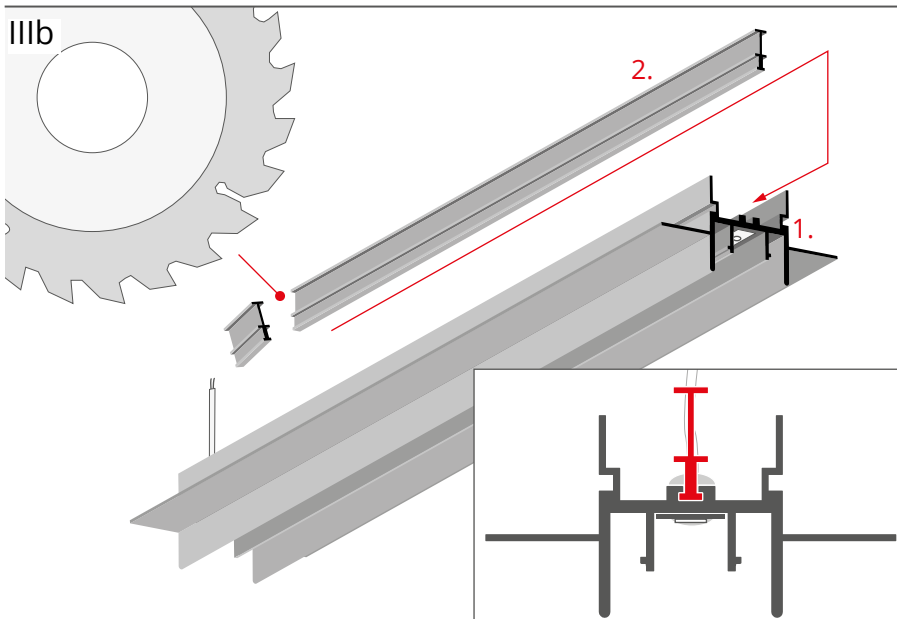
Drill a hole for the gland in FOLED profile (1).

IIb



Mount the gland (4), adhere the LED tape (3) and lead the power cable through the gland.

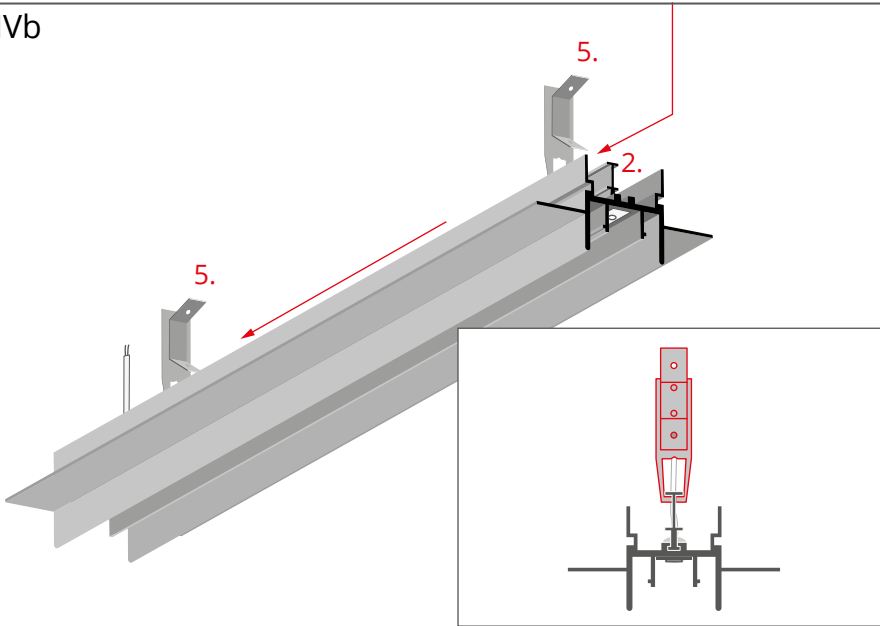
IIIb



Shorten the FOLHAK profile (2) by minimum 20 mm / 0.79". Then mount it in the groove on the back of the FOLED profile (1).

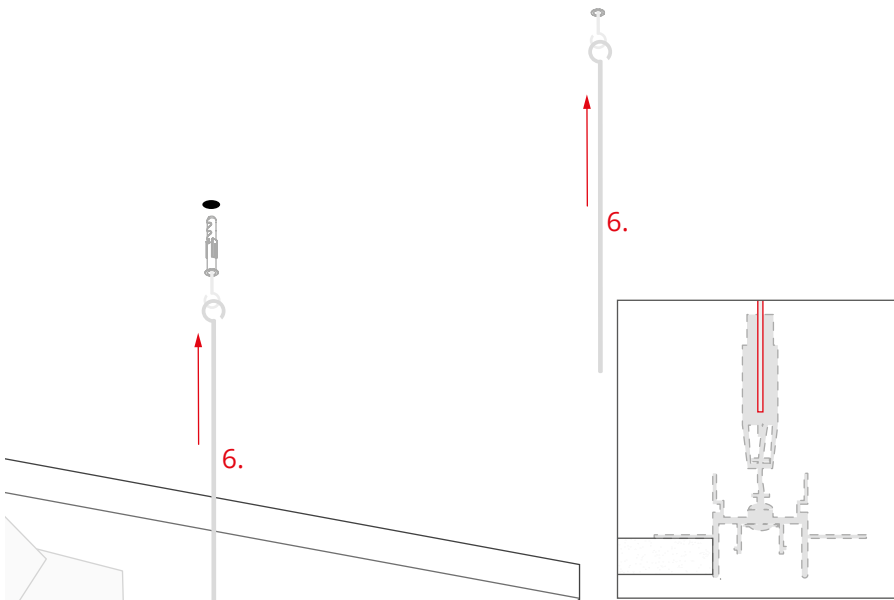
b) Mounting to the drywall panel with the stretched ceiling on one side of the extrusion

IVb



Mount the spring hangers (5) on the FOLHAK profile (2).

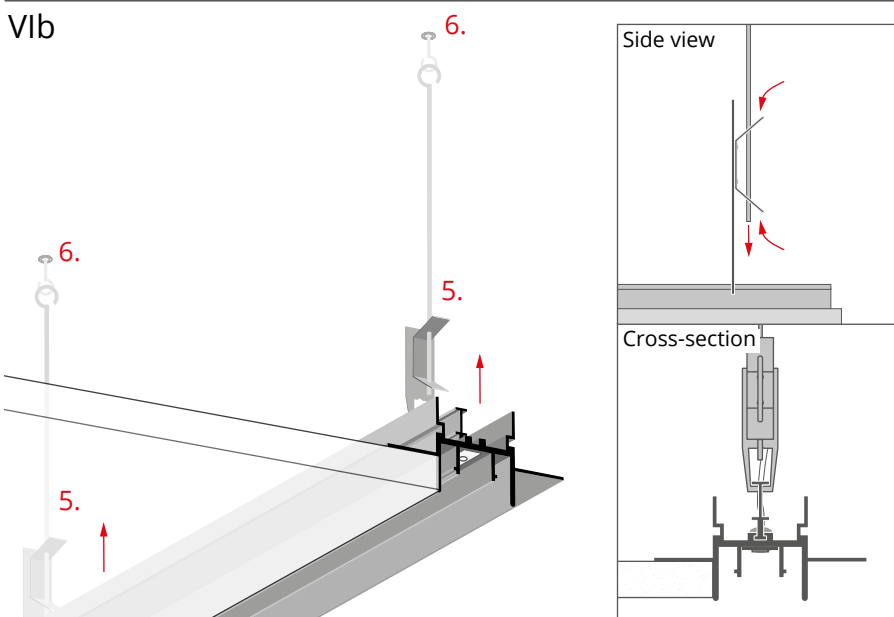
Vb



Mount the hanger rods \varnothing 4 mm (6) of length appropriate to the available space.

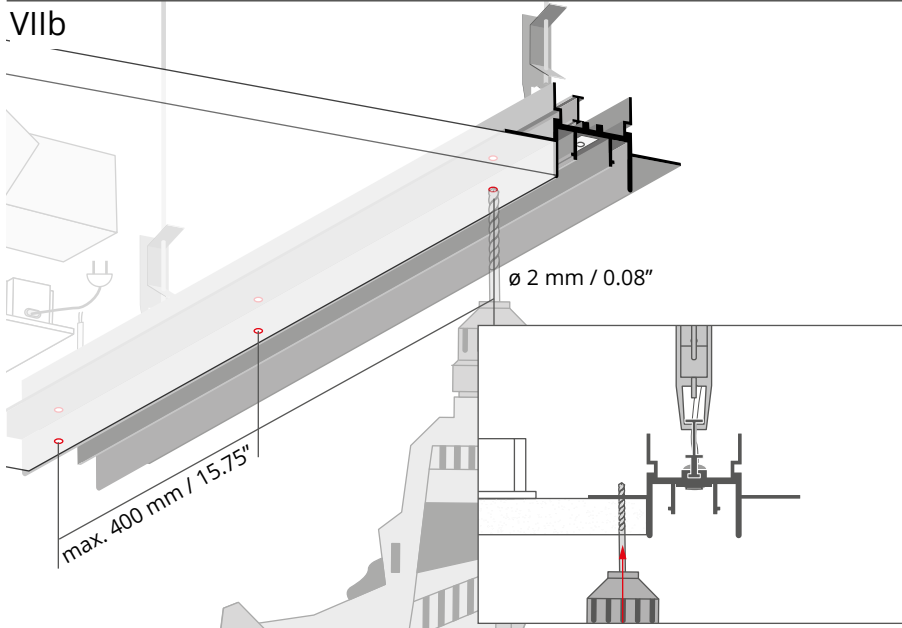
Pay attention to adjust the length of the rods so that they allow to rest the suspended profile on the drywall panel.

VIb



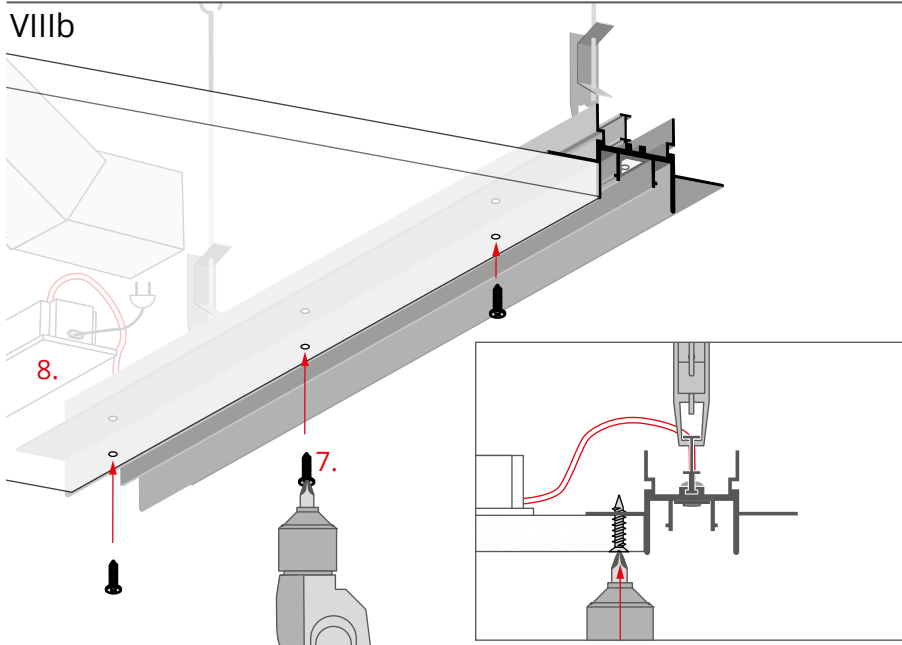
Suspend the fixture on the hanger rods \varnothing 4 mm (6) with the spring hangers (5).

b) Mounting to the drywall panel with the stretched ceiling on one side of the extrusion



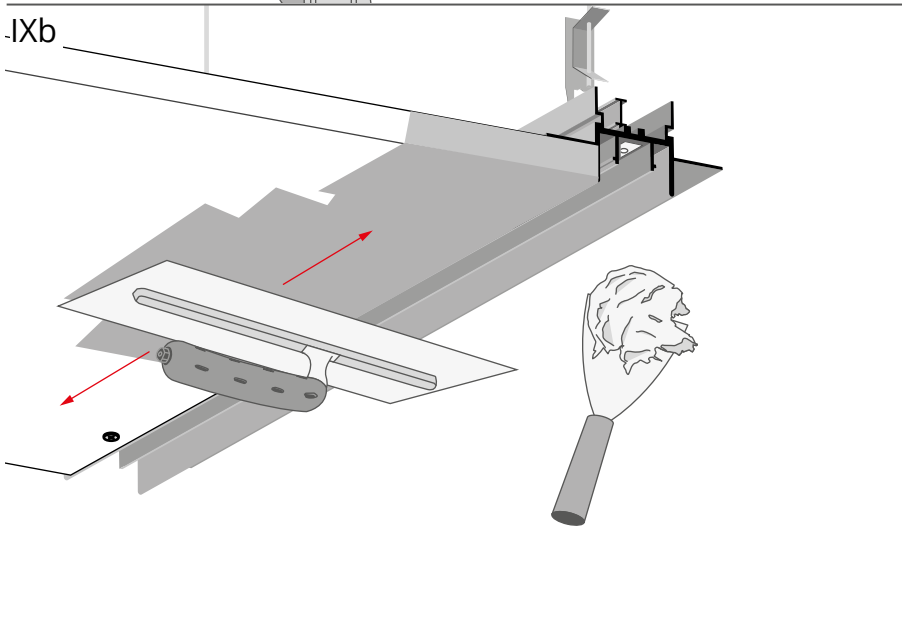
Drill holes through the board and the profile's flange.

The maximum distance between the holes is 400 mm / 15.75".



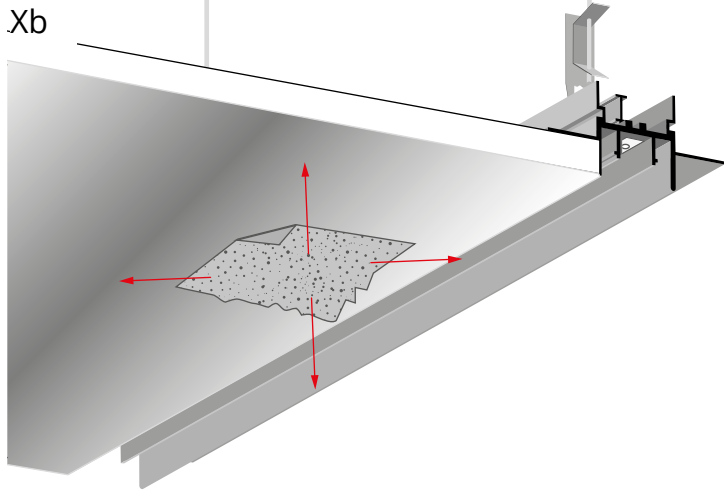
Insert the drywall screws (7) in the pre-drilled holes and screw the profile flange to the board.

Connect the cable from the LED tape with the cables from the power supply 12 V / 24 V (8).

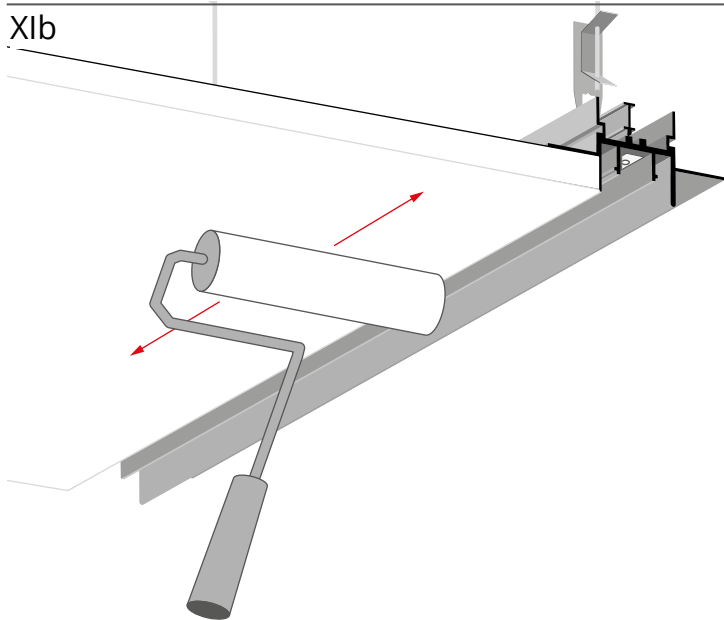


Apply plaster. Make the surface even.

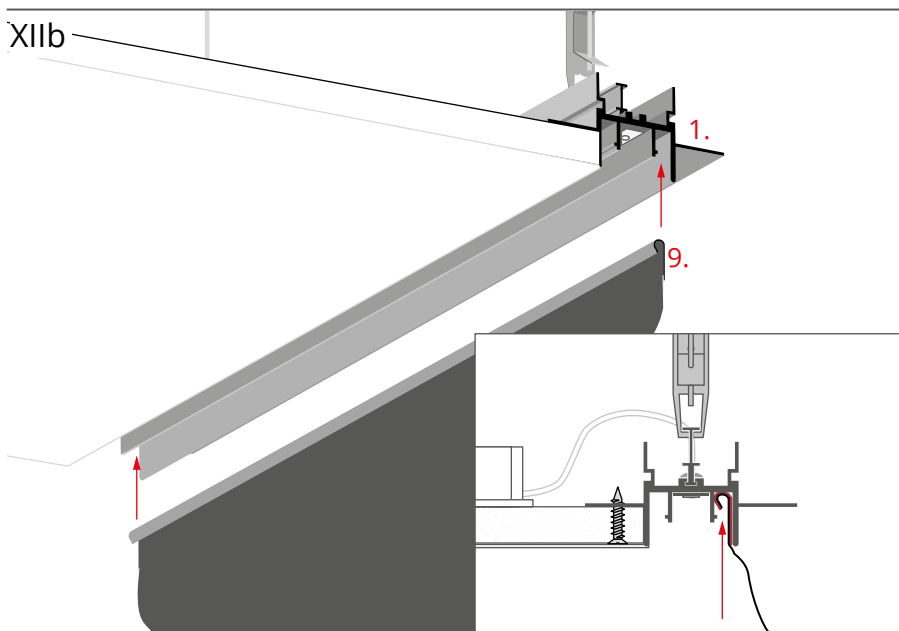
b) Mounting to the drywall panel with the stretched ceiling on one side of the extrusion



After the plaster has dried, sand the surface with sandpaper.

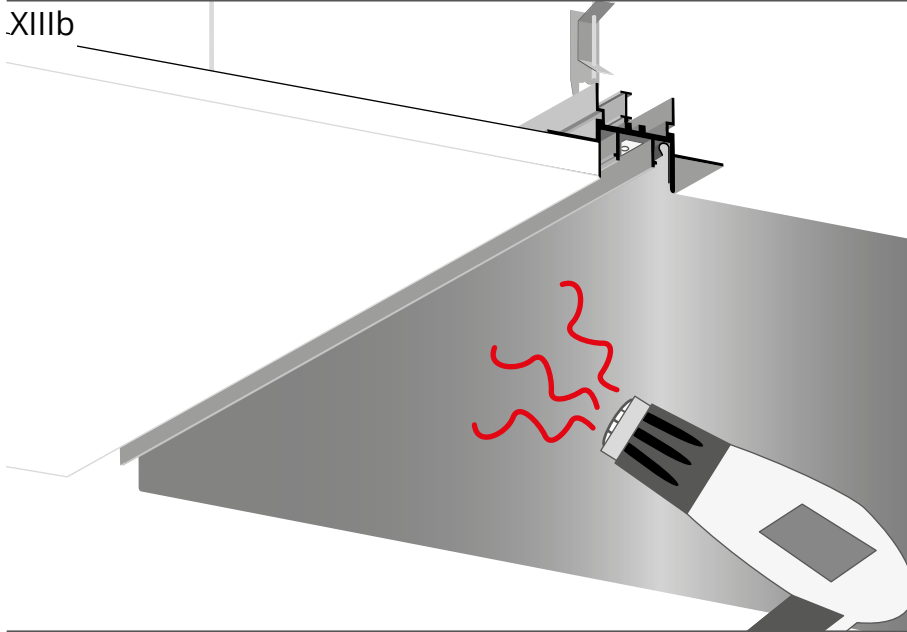


Paint the surface.



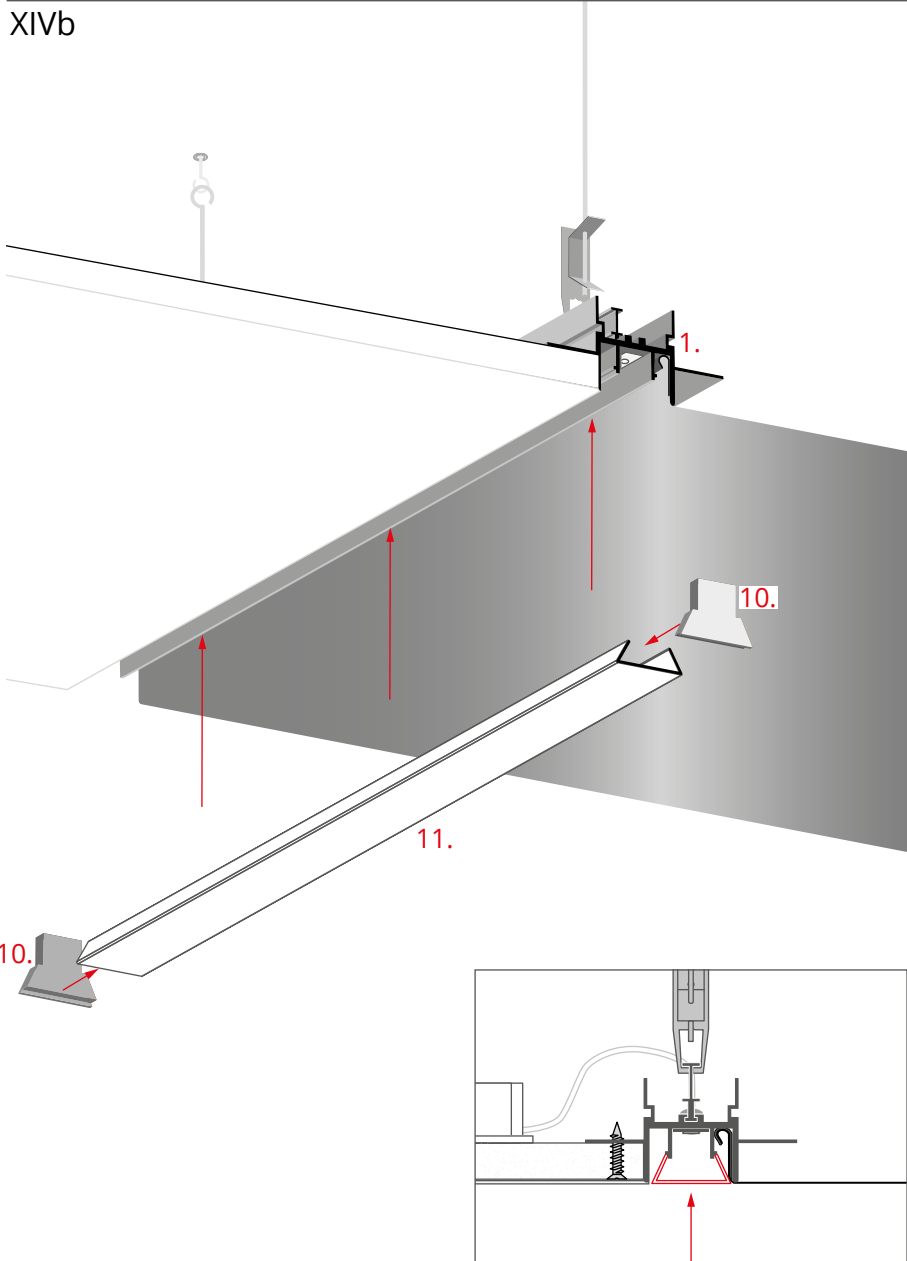
Mount the hooks of the stretched ceiling (9) in the FOLED profile (1).

XIIIb



After proper installation of the stretched ceiling, stretch it with heater.

XIVb



Mount the end caps (10) in the cover (11) and insert the cover into FOLED profile (1).