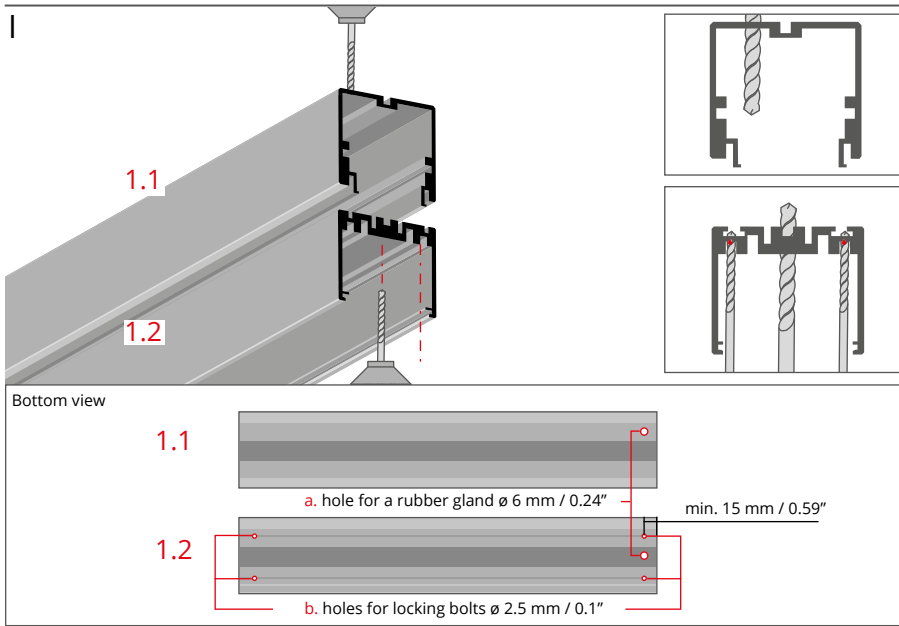


- | | | |
|-------------------------------|----------------|---------------------------------|
| 1.1 4050-W profile (item 1.1) | } (Ref. 18051) | 9.1 Power supply (12 V / 24 V)* |
| 1.2 4050-W profile (item 1.2) | | 9.2 Insert* |
| 1.3 Locking bolt | | 9.3 Bolt |
| 2. LED tape* | | 9.4 Connector* |
| 3. Gland* | | 10. End cap* |
| 4. Cable clamp | | 11. End cap bolt |
| 5. Gland* | | 12. Cover* |
| 6. Fastener* | | |
| 7. Steel wire* | | |
| 8. Ceiling fastener* | | |

*The full range of accessories and electronics is available at www.KlusDesign.eu

NOTE! All LED tapes must be connected to a 12 V or 24 V power supply.

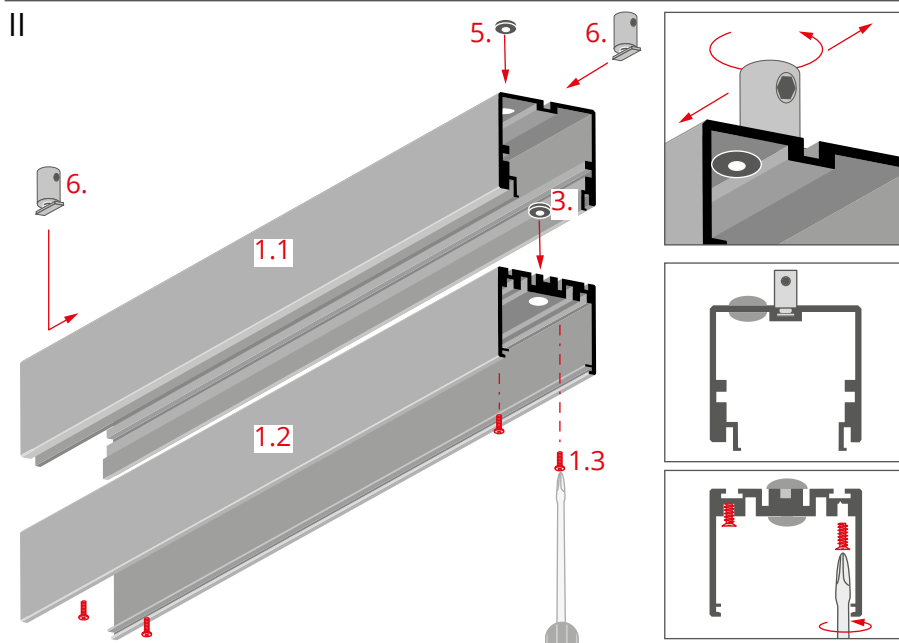
IMPORTANT: Not all possible mounting procedures are presented here. More mounting procedures and related accessories can be found at www.KlusDesign.eu. Drawings of extrusions and accessories in these instructions are simplified and only approximate the actual shapes.



a. Drill holes for the glands in the profile items (1.1,1.2). Drill holes in the places in which you want to put the power cables.

b. Drill holes for locking bolts in the profiled orientation lines. The holes must be arranged in pairs, evenly along the lighting fixture, at a minimum distance of 15 mm / 0.59" from the end of the profile. Their required number is:

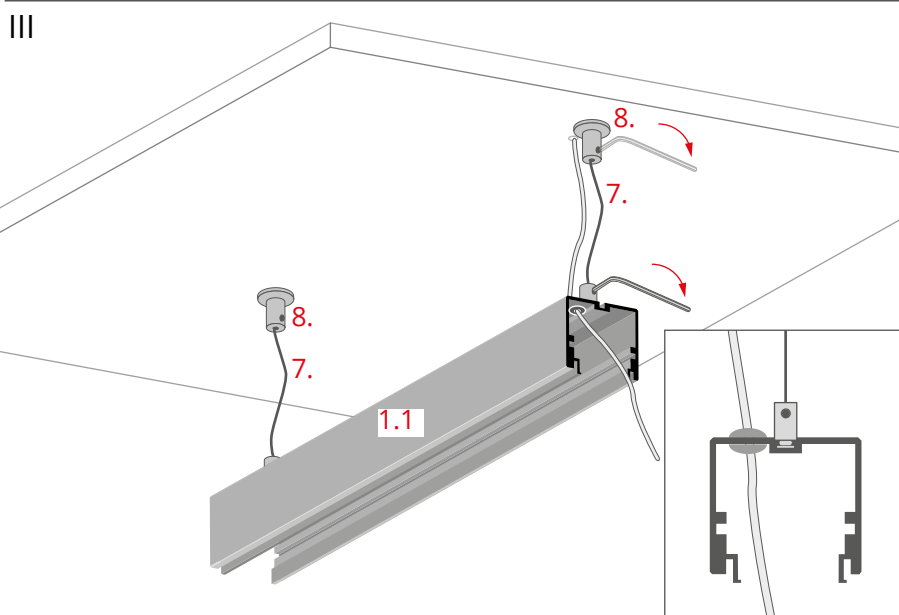
- 4 pcs / 1 m of the profile (arranged in pairs)
- 6 pcs / 2 m of the profile (arranged in pairs)
- 8 pcs / 3 m of the profile (arranged in pairs)



Mount the glands in both profiles.

Mount the fasteners (6) in the upper channel in the profile item (1.1). Lock them in the designated position by tightening their heads.

Screw the bolts (1.3) in the holes so that their threads do not protrude from the other side of the profile.

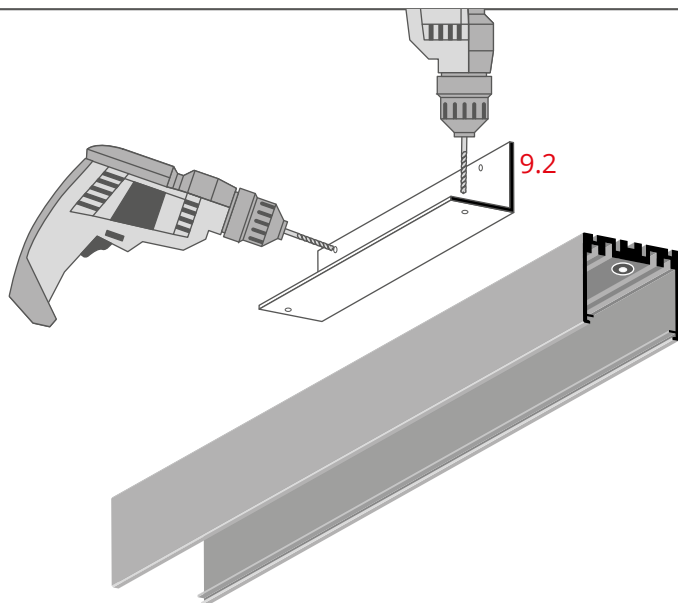


Mount ceiling fasteners (8) (More information at www.KlusDesign.eu).

To suspend the track (1.1) attach a wire (7) to the fasteners. Lock it by tightening the pressure screws in the fastener heads with an Allen wrench.

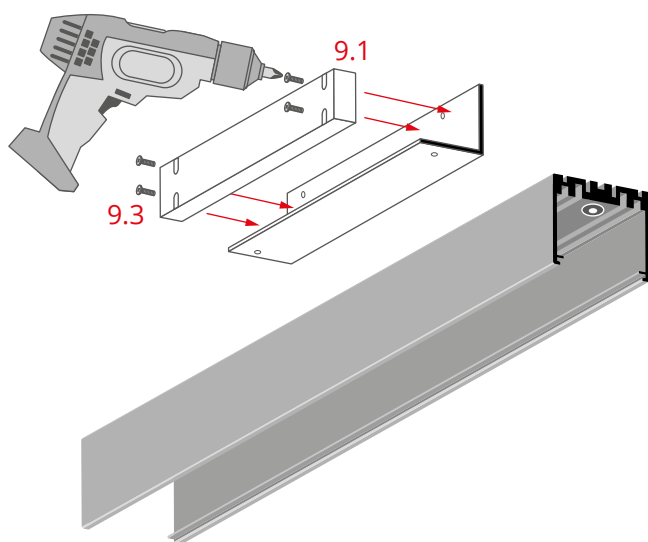
Run the power cable from the power supply 12 V / 24 V through the gland.

IV



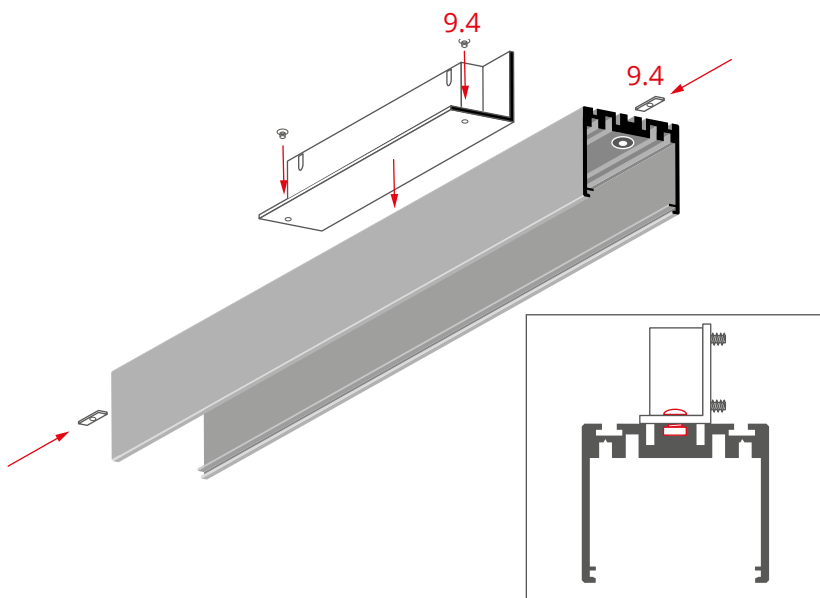
Drill the holes for bolts and connectors in the insert (9.2).

V



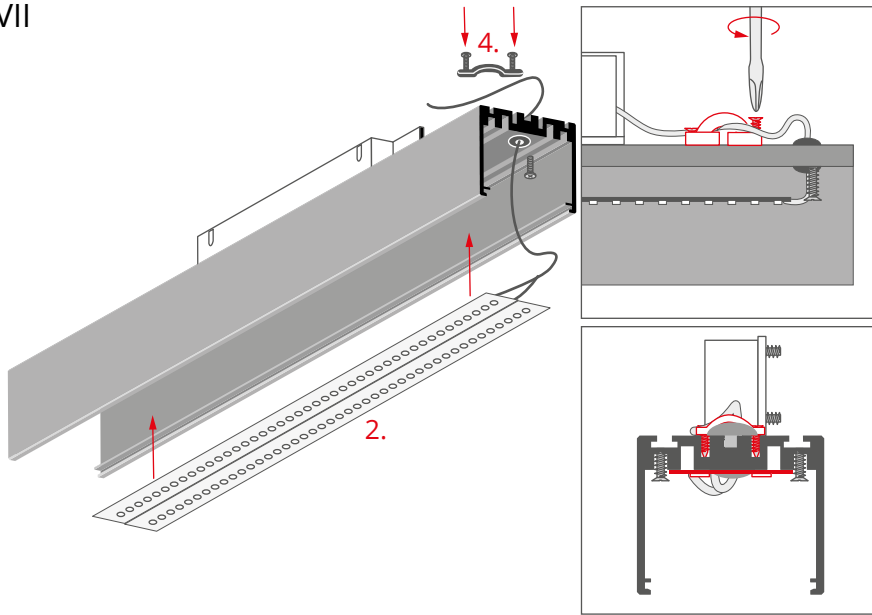
Mount the power supply (12 V / 24 V) (9.1) to the insert with bolts (9.3).

VI



Attach the insert to the profile with the connector (9.4).

VII

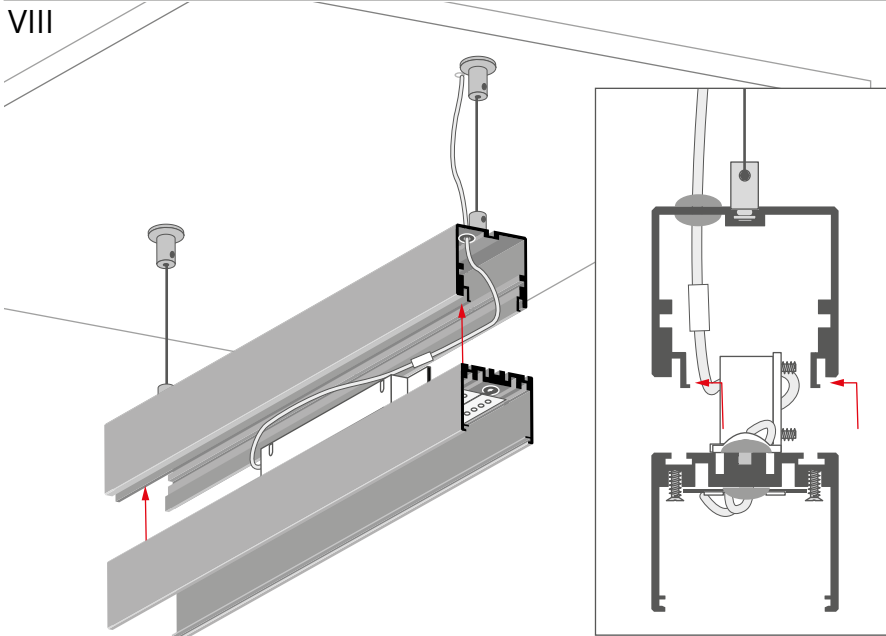


Adhere the LED tape (2) into the profile item (1.2). Run the power cable through the gland.

Block the power cable with the cable clamp (4) which can be secured with screws bolts to the profiled channels on the back of the profile.

Connect the LED tape cable to the power supply 12 V / 24 V.

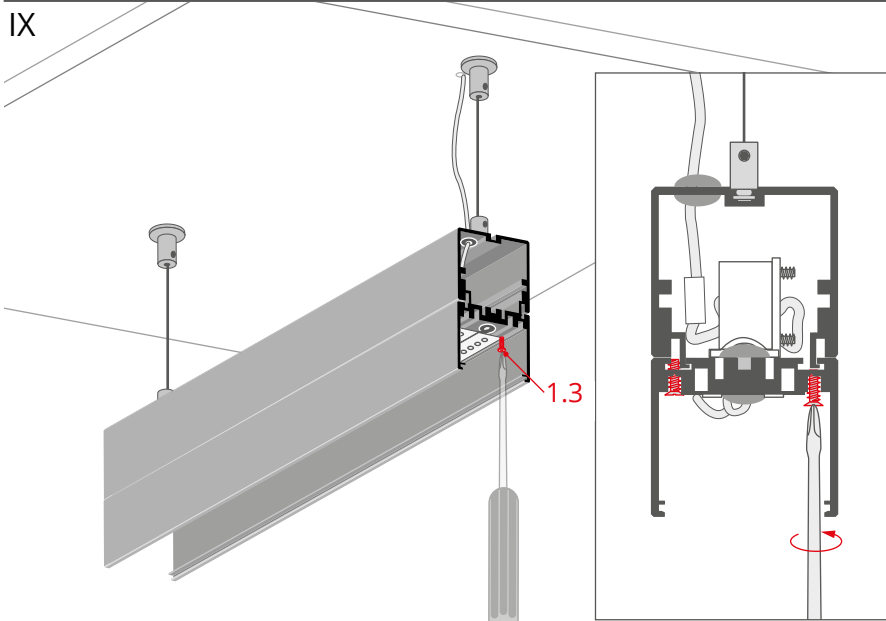
VIII



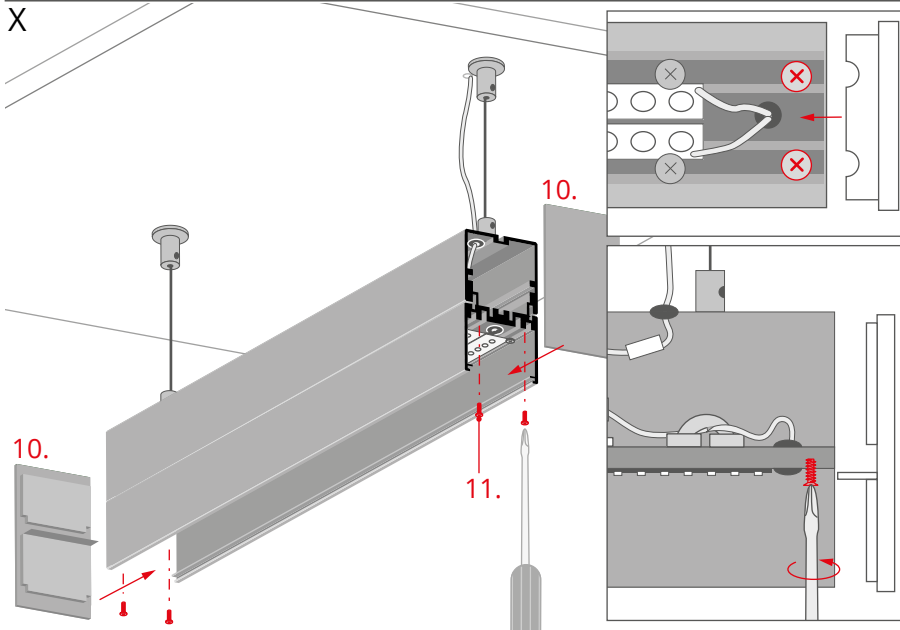
Connect the power cables. They can be placed in the chamber inside the mounting strip.

Connect both profile items. This is done by pressing the fixture to the mounting strip and moving it towards the center. This will make the fixture hooks interlock with the mounting strip hooks (as shown in the figure).

IX

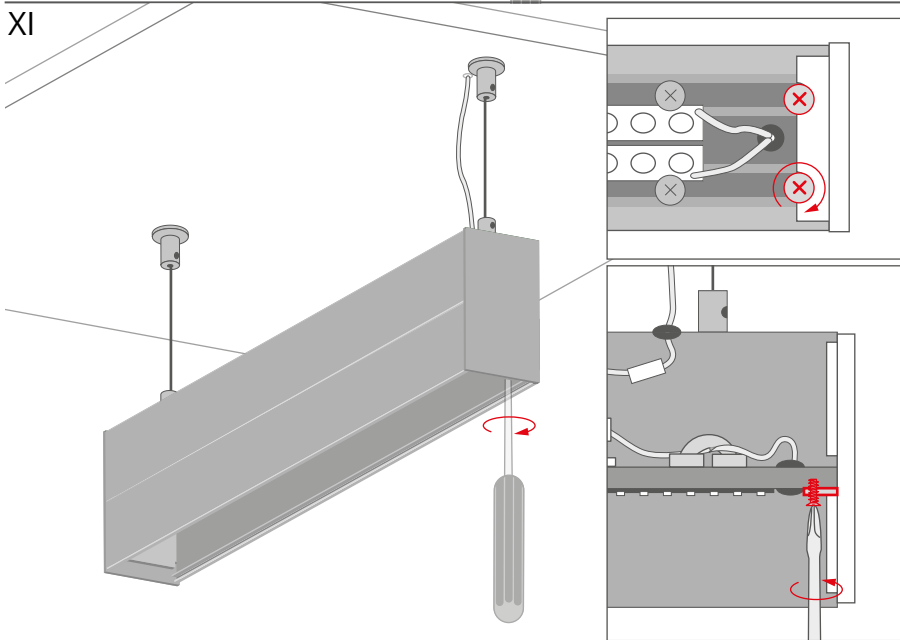


Secure the profile items against slipping out by tightening the locking bolts (1.3), embedded in the pre-drilled holes.

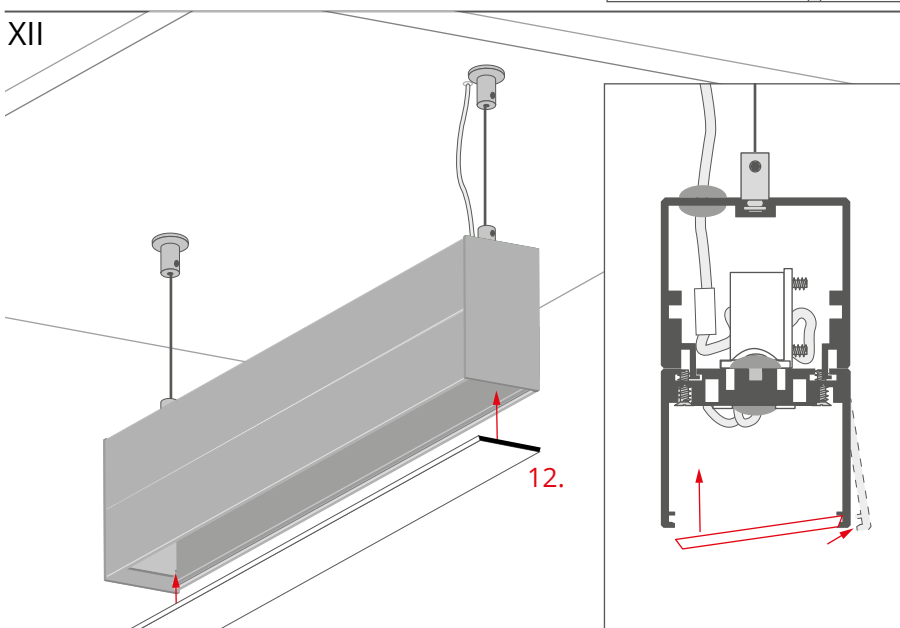


Insert the end cap bolts (11) in threaded channels (as shown in the figure).

Attach the end caps (10).

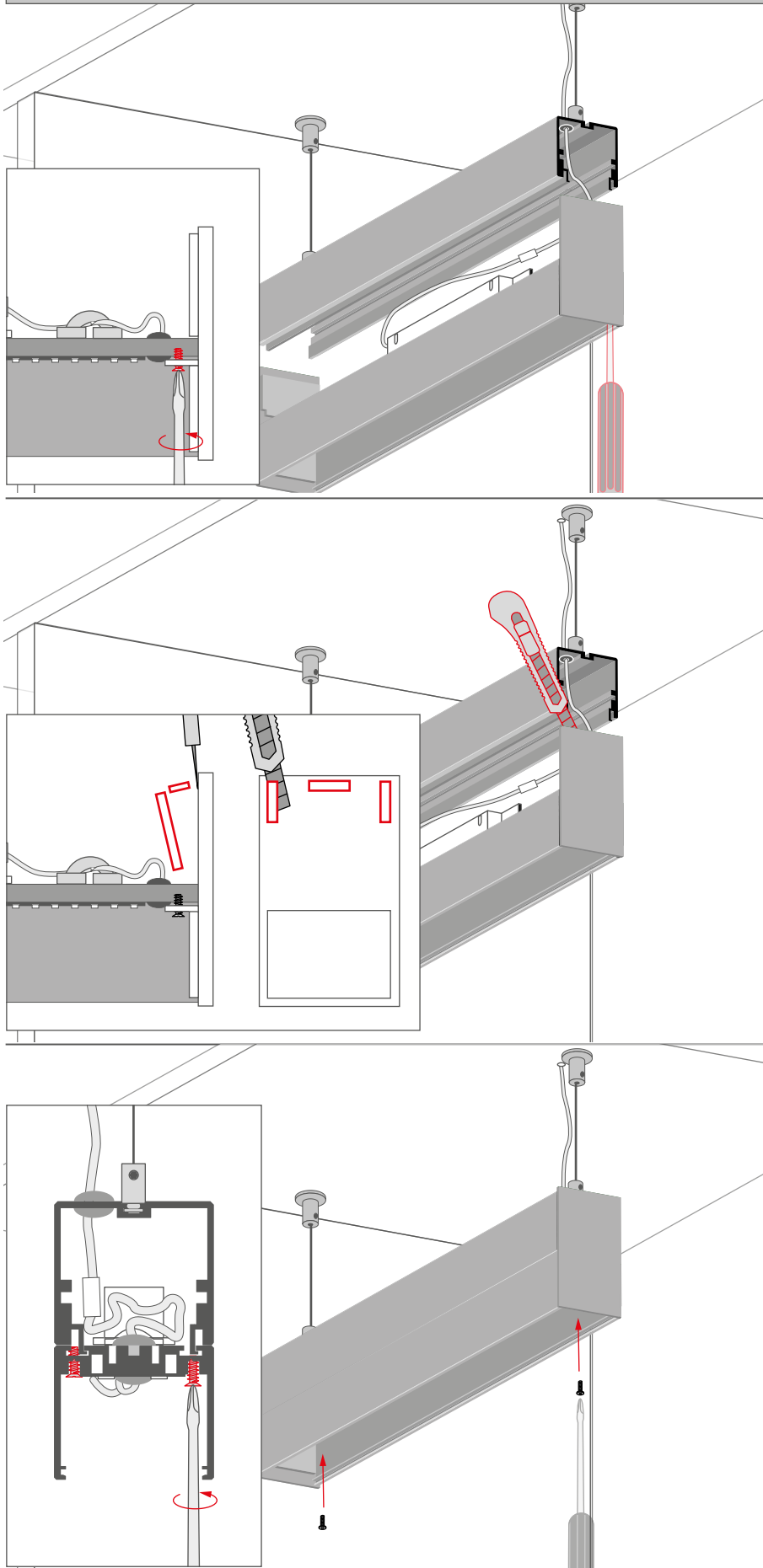


Lock the end caps by tightening the bolts (the end cap has bolt holes in the inner flange).



Attach the cover (12) by slightly bending the edge of the profile outwards.

„Wall-to-wall” fixture installation



In case of „wall-to-wall” installation it is necessary to mount the fixture with the end caps from the bottom.

In order to mount the fixture from the bottom, snap off the inner plastic elements located in the upper part of the end cap. Then, install the whole fixture set (end caps, profile with LED strips) into the mounting track.